

# Complete Freewheels FGR ... R A2A7

with mounting flange  
with rollers



24-1

## Application as

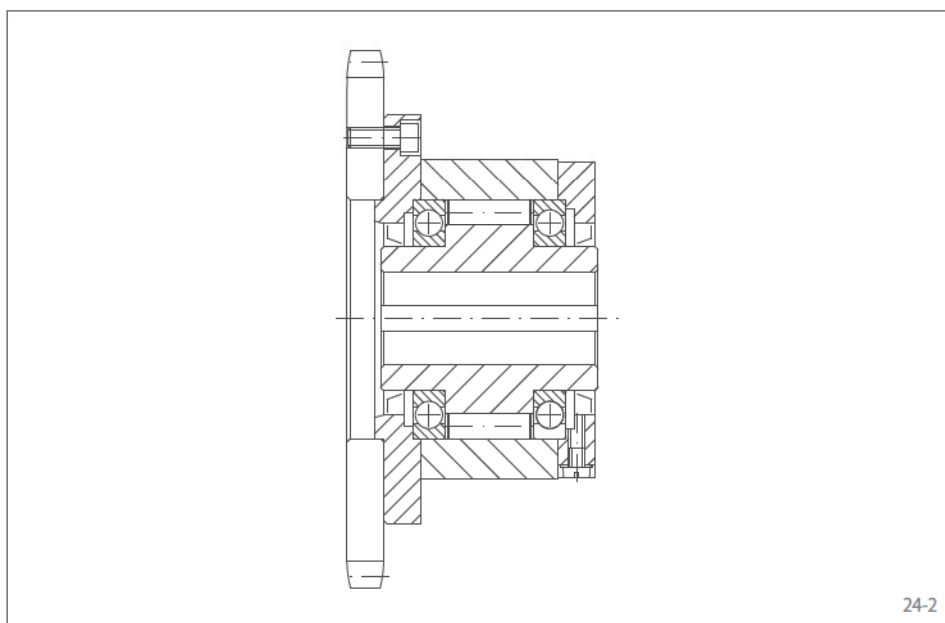
- ▶ Backstop
- ▶ Overrunning Clutch
- ▶ Indexing Freewheel

## Features

Complete Freewheels FGR ... R A2A7 with mounting flange are sealed roller freewheels with ball bearings. They are oil lubricated.

Nominal torques up to 68 000 Nm.

Bores up to 150 mm.

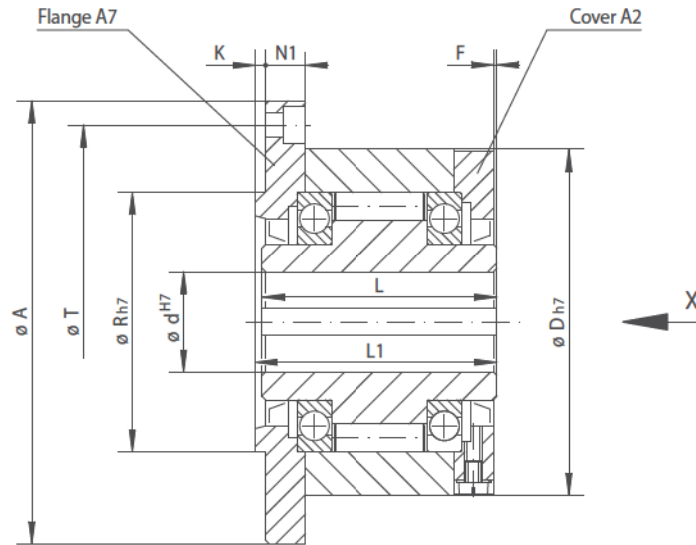


24-2

## Application example

Complete Freewheel FGR 50 R A2A7 in a feed unit for sheet material. The drive is transmitted via the inner ring of the freewheel, which drives the feed rollers of the sprocket. Hence the sheet material is transported with the help of the freewheel. During the handover of the material into the next machine the material is able to overrun the drive unit.

with mounting flange  
with rollers



25-1

Standard type For universal use		Dimensions														
Indexing Freewheel Overrunning Clutch Backstop																

Freewheel Size	Type	Flange and cover combination	Nominal torque $M_N$ Nm	Max. speed		Bore d mm	A mm	D mm	F mm	G* mm	K mm	L mm	L1 mm	N1 mm	R mm	T mm	Z* mm	Weight kg
				Inner ring freewheels/overruns $\text{min}^{-1}$	Outer ring freewheels/overruns $\text{min}^{-1}$													
FGR 12	R	A2A7	55	2 500	5 400	12	85	62	1	M 5	3,0	42	44	10,0	42	72	3	1,2
FGR 15	R	A2A7	130	2 200	4 800	15	92	68	1	M 5	3,0	52	54	11,0	47	78	3	1,6
FGR 20	R	A2A7	180	1 900	4 100	20	98	75	1	M 5	3,0	57	59	10,5	55	85	4	1,9
FGR 25	R	A2A7	290	1 550	3 350	25	118	90	1	M 6	3,0	60	62	11,5	68	104	4	2,9
FGR 30	R	A2A7	500	1 400	3 050	30	128	100	1	M 6	3,0	68	70	11,5	75	114	6	3,9
FGR 35	R	A2A7	730	1 300	2 850	35	140	110	1	M 6	3,5	74	76	13,0	80	124	6	4,9
FGR 40	R	A2A7	1 000	1 150	2 500	40	160	125	1	M 8	3,5	86	88	15,0	90	142	6	7,5
FGR 45	R	A2A7	1 150	1 100	2 400	45	165	130	1	M 8	3,5	86	88	15,0	95	146	8	7,8
FGR 50	R	A2A7	2 100	950	2 050	50	185	150	1	M 8	4,0	94	96	13,0	110	166	8	10,8
FGR 55	R	A2A7	2 600	900	1 900	55	204	160	1	M 10	4,0	104	106	17,0	115	182	8	14,0
FGR 60	R	A2A7	3 500	800	1 800	60	214	170	1	M 10	4,0	114	116	16,0	125	192	10	16,8
FGR 70	R	A2A7	6 000	700	1 600	70	234	190	1	M 10	4,0	134	136	17,5	140	212	10	20,8
FGR 80	R	A2A7	6 800	600	1 400	80	254	210	1	M 10	4,0	144	146	20,0	160	232	10	27,0
FGR 90	R	A2A7	11 000	500	1 300	90	278	230	1	M 12	4,5	158	160	19,0	180	254	10	40,0
FGR 100	R	A2A7	20 000	350	1 100	100	335	270	1	M 16	5,0	182	184	28,0	210	305	10	67,0
FGR 130	R	A2A7	31 000	250	900	130	380	310	1	M 16	5,0	212	214	27,0	240	345	12	94,0
FGR 150	R	A2A7	68 000	200	700	150	485	400	1	M 20	5,0	246	248	30,0	310	445	12	187,0

The maximum transmissible torque is 2 times the specified nominal torque. See page 14 for determination of selection torque.

Keyway according to DIN 6885, page 1 • Tolerance of keyway width JS10.

\* Z = Number of fastening holes for screws G (DIN EN ISO 4762) on pitch circle T.

## Mounting

Basic Freewheel, flange, cover, seals and screws are supplied loose. These must be assembled by the customer with regard to the required freewheeling direction into the Complete Freewheel. Prior to commissioning, the freewheel must be filled with oil of the specified quality. Upon request, assembled Complete Freewheels already oil-filled can be supplied.

The customer attachment part is centered on the pilot diameter R and bolted on to the face via flange A7. Hence, Complete Freewheels FGR ... R A2A7 are particularly suitable for attaching smaller and narrower parts (sprockets, gear wheels etc.).

The tolerance of the shaft must be ISO h6 or j6 and the tolerance of the pilot diameter R of the attachment part must be ISO H7 or J7.

## Example for ordering

Freewheel size FGR 25, standard type with cover A2 and flange A7:

- FGR 25 R A2A7

Basic Freewheel, flange, cover, seals and screws are supplied loose provided nothing else is stated in the order.

If assembled, oil-filled, Complete Freewheels are to be supplied, this must be specified in the order. When ordering, please also specify the freewheeling direction of the inner ring when viewed in direction X:

- counterclockwise free or
- clockwise free