

GFK

TYPE



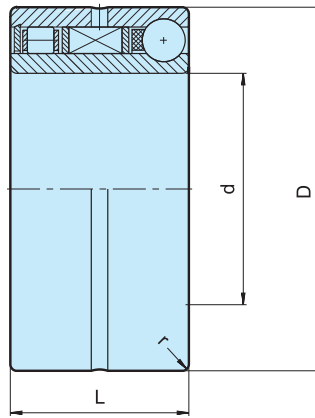
Type GFK is a sprag type freewheel integrated into a 59.. series ball bearing. This design provides high torque capacity for minimal outside diameter. It is a bearing supported type, delivered grease lubricated.

Oil bath lubrication is also possible. Whatever the lubrication type, seals should be provided, as illustrated on the next page.

Torque transmission must be ensured by a press fit assembly into a rigid outer housing with R6 tolerance, and onto a shaft with p5 tolerance.

Initial radial clearance has been provided to take into account this heavy press fit. Operating temperature range: -20°C to $+100^{\circ}\text{C}$. Peaks up to $+120^{\circ}\text{C}$ are acceptable for short periods. Please contact us for higher temperatures.

GFK



Type	Size	Overrunning speeds			Bearing series	Loads							Weight (kg)
		$T_{KN}^{1)}$ (Nm)	$n_{imax}^{2)}$ (min ⁻¹)	$n_{amax}^{3)}$ (min ⁻¹)		Rollers dyn. C (N)	Balls dyn. C (N)	Rollers stat. C ₀ (N)	Balls stat. C ₀ (N)	D (mm)	L (mm)	r (mm)	
GFK	20	51	5500	4000	5904	5600	4400	2900	2750	37	23	0.5	0.09
	25	65	5300	3800	5905	6300	5300	3450	3350	42	23	0.5	0.11
	30	95	5000	3500	5906	7700	5500	4600	3650	47	23	0.5	0.13
	35	204	4600	3200	5907	8200	8500	5200	5700	55	27	1	0.20
	40	315	4200	3000	5908	8650	9300	5750	6700	62	30	1	0.30
	45	370	3800	2500	5909	9200	9700	6350	7300	68	30	1	0.34
	50	460	3400	2200	5910	9650	10000	6950	7800	72	30	1	0.36

NOTES

- 1) $T_{max} = 2 \times T_{KN}$
» Refer to Selection page 10 to 13
 - 2) Inner race overruns
 - 3) Outer race overruns
- » Refer to mounting and maintenance instructions page 16 to 19

MOUNTING EXAMPLE

