

AA

TYPE

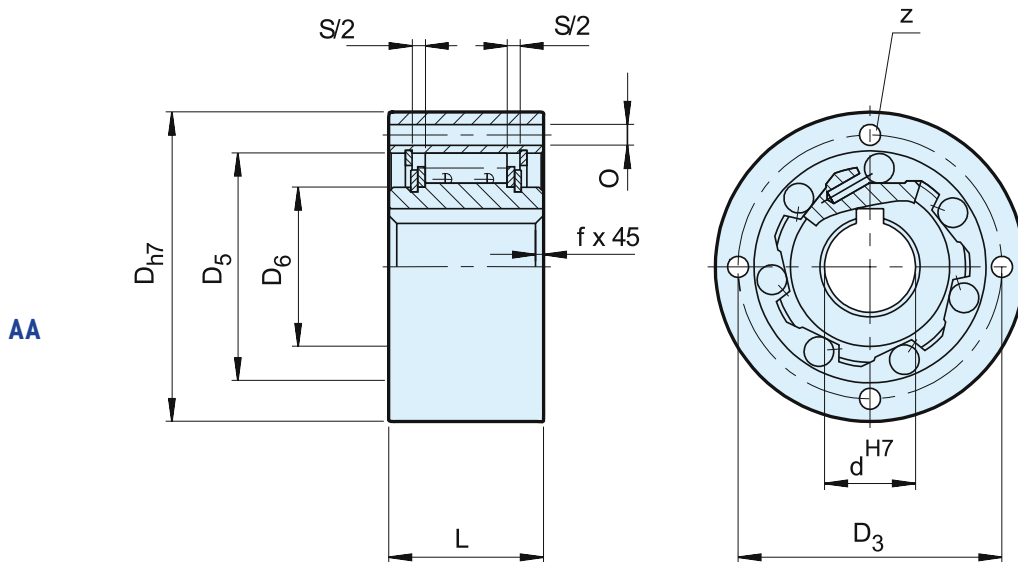


**T**ype AA is a roller type freewheel non-bearing supported. Bearings are required to support axial and radial loads. Lubrication and sealing must also be provided by the installation.

Standard lubrication is oil. A typical installation is shown on the following page.

The inner race is keyed to the shaft. The fit for centering of the outer race must be to H7 tolerance. Connection of the outer race is via through bolts to grade 10.9 or better.

This design can accept an axial misalignment of inner and outer race of  $\pm S/2$ .



Type	Size	Overrunning speeds											Weight	Drag torque	
		$T_{KN}^{1)}$ [Nm]	$n_{imax}^{2)}$ [min <sup>-1</sup> ]	$n_{amax}^{3)}$ [min <sup>-1</sup> ]	$D_{h7}$ [mm]	L [mm]	$D_5$ [mm]	$D_6$ [mm]	$D_3$ [mm]	Z	0 [mm]	f [mm]			s [mm]
AA	12	17	3100	6000	47	20	28	20	38	3	5,5	0,5	4,5	0,21	0,7
	15	55	2300	5400	55	30	37	26	45	3	5,5	0,8	4,5	0,44	3,5
	20	146	2000	3600	68	34	50	35	58	4	5,5	0,8	5,5	0,70	8,4
	25	285	1700	2600	90	37	68	45	78	6	5,5	1	6,5	1,30	14
	30	500	1500	2100	100	44	75	50	87	6	6,6	1	6,5	2,00	23
	35	720	1300	1950	110	48	80	55	96	6	6,6	1	6,5	2,60	60
	40	1030	1200	1700	125	56	90	60	108	6	9	1,5	7,6	3,90	72
	45	1125	1050	1500	130	56	95	65	112	8	9	1,5	7,6	4,00	140
	50	2150	950	1300	150	63	110	75	132	8	9	1,5	7,6	6,00	180
	55	2675	850	1200	160	67	115	82	138	8	11	2	7,6	7,20	190
	60	3500	800	1100	170	78	125	90	150	10	11	2	7,6	9,20	240
	70	5813	650	900	190	95	140	100	165	10	11	2,5	7,6	11,8	320

#### NOTES

1)  $T_{max} = 2 \times T_{KN}$   
 » Refer to Selection page 10 to 13

2) Inner race overruns

3) Outer race overruns

Keyway to DIN 6885.1

» Refer to mounting and maintenance instructions  
 page 16 to 19

#### MOUNTING EXAMPLE

