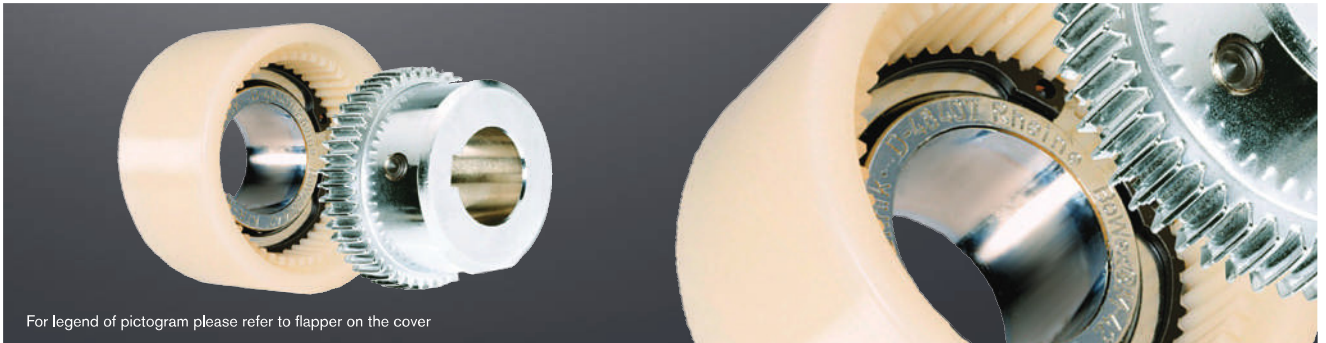
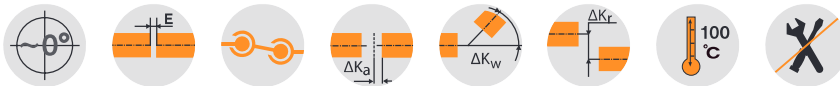


BoWex® AS and Spec.-I Curved-tooth gear coupling®

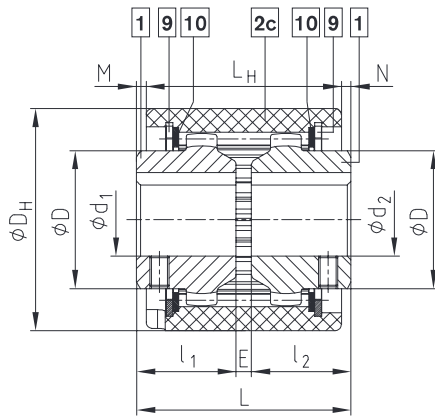
Compact and maintenance-free



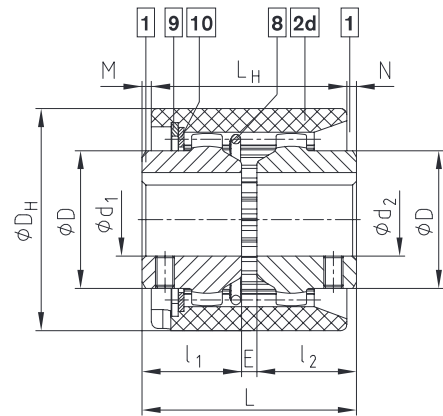
For legend of pictogram please refer to flapper on the cover



Components



Type AS



Type Spec.-I

| BoWex® Type AS and type Spec.-I | | | | | | | | | | | | | | | | | | |
|---------------------------------|------------|-------------|--|-----------------|---------------------------------|-----|-----|----------------|------|-----|----------------|---|--------|-------|--|--------|--------|-------|
| Size | Pilot bore | | Finish bore d ₁ , d ₂ | Dimensions [mm] | | | | | | | | Weight with max. bore [kg] | | | Mass moment of inertia J with max. bore [kgcm ²] | | | |
| | Unbored | Pilot bored | | Max. | l ₁ , l ₂ | E | L | L _H | M, N | D | D _H | Hub length max. l ₁ , l ₂ | Sleeve | Hub | Total | Sleeve | Hub | Total |
| 24 | x | - | For finish bores see stock programme | 24 | 26 | 4 | 56 | 51 | 2.5 | 36 | 58 | 50 | 0.11 | 0.14 | 0.39 | 0.38 | 0.36 | 1.10 |
| 28 | x | - | | 28 | 40 | 4 | 84 | 56 | 14 | 44 | 70 | 55 | 0.16 | 0.33 | 0.82 | 1.54 | 1.22 | 3.98 |
| 32 | x | - | | 32 | 40 | 4 | 84 | 58 | 13 | 50 | 84 | 55 | 0.21 | 0.43 | 1.07 | 2.75 | 2.17 | 7.09 |
| 45 | x | - | | 45 | 42 | 4 | 88 | 60 | 14 | 65 | 100 | 60 | 0.27 | 0.63 | 1.53 | 5.49 | 5.66 | 16.81 |
| 65 | - | 21 | | 65 | 55 | 4 | 114 | 84 | 15 | 96 | 140 | 70 | 0.84 | 2.10 | 5.00 | 29.83 | 43.96 | 117.8 |
| 80 | - | 31 | | 90 | 90 | 6 | 186 | 93 | 46.5 | 124 | 178 | - | 1.30 | 5.20 | 11.70 | 83.20 | 150.8 | 384.8 |
| 100 | - | 38 | | 100 | 110 | 8 | 228 | 102 | 63 | 152 | 210 | - | 2.05 | 9.40 | 20.80 | 184.4 | 401.3 | 987.0 |
| 125 | - | 45 | 125 | 140 | 10 | 290 | 134 | 78 | 192 | 270 | - | 4.32 | 19.44 | 43.10 | 620.0 | 1362.3 | 3344.6 | |

For performance data see page 88.

| | | | |
|-------------------|--|--|--|
| Ordering example: | BoWex® 32 AS | d ₁ Ø32 | d ₂ Ø32 |
| | Size and type of coupling AS or Spec.-I | Finish bore H7 keyway to DIN 6885 sheet 1 (JS9) | Finish bore H7 keyway to DIN 6885 sheet 1 (JS9) |