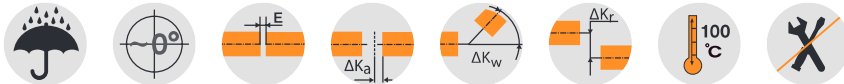


BoWex® junior and junior M Curved-tooth gear coupling®

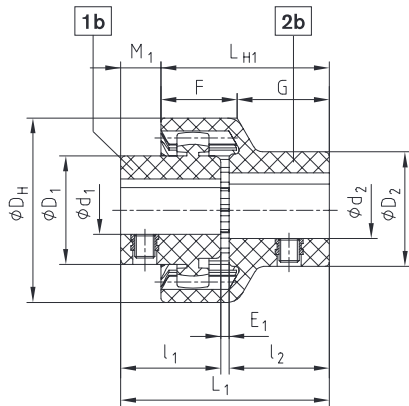
Plug-in coupling made of nylon (two-part and three-part)



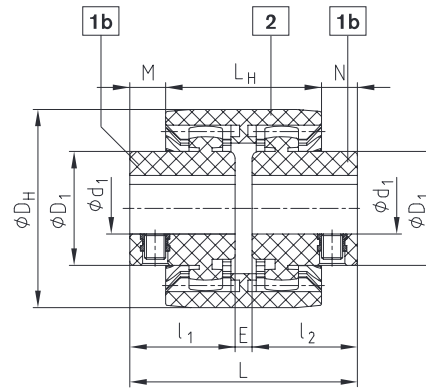
For legend of pictogram please refer to flapper on the cover



Components



Type junior plug-in coupling (two-part)



Type junior M coupling (three-part)

BoWex® junior plug-in coupling (two-part) and BoWex® junior M (three-part)

| Size | Torque [Nm] | | Finish bore | | Dimensions [mm] | | | | | | | | | | | | | Max. speed [rpm] | | |
|------------|-------------|----|---|-------|---|------------------------------|----|-------|------------|-------|-------|----------|-------|------|-----|-----|-----|------------------|-------|--------|
| | | | Hub Component 1b ¹⁾ | | Plug-in sleeve Component 2b ¹⁾ | | | D_H | l_1, l_2 | E_1 | L_1 | L_{H1} | M_1 | F | G | E | L | | L_H | M, N |
| | | | d_1 ¹⁾ | D_1 | d_2 ¹⁾ | D_2 | | | | | | | | | | | | | | |
| 14 M-14 | 5 | 10 | $\emptyset 6, \emptyset 7,$ $\emptyset 8, \emptyset 9$ | 22 | $\emptyset 8$ | 22 | 40 | 23 | 2 | 48 | 40 | 8 | 18.5 | 21.5 | 4 | 50 | 37 | 6.5 | 6000 | |
| 19 M-19 | 8 | 16 | $\emptyset 10, \emptyset 11$ | 25 | $\emptyset 10, \emptyset 11$ | 25 | 47 | 25 | 2 | 52 | 42 | 10 | 19.0 | 23.0 | 4 | 54 | 37 | 8.5 | 6000 | |
| | | | $\emptyset 12, \emptyset 14$ | 26 | $\emptyset 12, \emptyset 14$ | 26 | | | | | | | | | | | | | | |
| | | | $\emptyset 12, \emptyset 14$ | 27 | $\emptyset 14, \emptyset 15$ | 29 | | | | | | | | | | | | | | |
| 24 M-24 | 12 | 24 | $\emptyset 10, \emptyset 11,$ $\emptyset 12$ | 26 | $\emptyset 14, \emptyset 16$ | 32 | 53 | 26 | 2 | 54 | 45 | 9 | 21.5 | 23.5 | 4 | 56 | 41 | 7.5 | 6000 | |
| | | | $\emptyset 14, \emptyset 15,$ $\emptyset 16$ | 32 | | | | | | | | | | | | | | | | |
| | | | $\emptyset 18, \emptyset 19,$ $\emptyset 20$ | 36 | | $\emptyset 19, \emptyset 20$ | | | | | | | | | | | | | | 36 |
| | | | $\emptyset 24$ | 38 | | $\emptyset 24$ | | | | | | | | | | | | | | 40 |

¹⁾ Finish bore with tolerance +0.05/-0.1; feather keyway ± 0.08

Ordering example:

| | | |
|---|--------------------|--------------------|
| BoWex® junior 19 | $d_1 \emptyset 19$ | $d_2 \emptyset 14$ |
| Coupling size two-part type or BoWex® junior M-19 three-part type | Finish bore | Finish bore |