

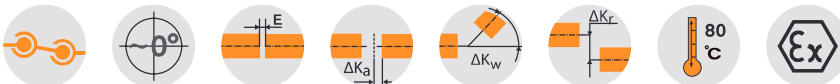
GEARex® FA, FB and FAB

All-steel gear couplings

Coupling in accordance with AGMA 9008-B00, high power density



For legend of pictogram please refer to flapper on the cover



Dimensions																		
Size	Pilot bore	Max. finish bore		Dimensions [mm]														Grease capacity [dm ³] ²⁾
		d ₁ , d ₂	l ₁ , l ₂	Hub lengthened max. l ₁ , l ₂	E _{FA}	E _{FB}	E _{FAB}	L _{FA}	L _{FB}	L _{FAB}	L ₃	D	DA ₁	DA ₂	F ¹⁾	d ₃ ¹⁾		
10	26	50	43	105	3	21	12	89	107	98	55	67	111	83	74	52	0.02	
15	26	64	50	115	3	15	9	103	115	109	59	87	152	106	84	68	0.04	
20	31	80	62	130	3	31	17	127	155	141	79	108	178	129	104	85	0.08	
25	38	98	76	150	5	29	17	157	181	169	93	130	213	157	123	110	0.12	
30	44.5	112	90	170	5	33	19	185	213	199	109	153	240	181	148	130	0.18	
35	46	133	105	185	6	40	23	216	250	233	128	180	280	213	172	150	0.22	
40	52	158	120	215	6	42	24	246	282	264	144	214	318	249	192	175	0.35	
45	80	172	135	245	8	50	29	278	320	299	164	233	347	273	216	190	0.45	
50	80	192	150	295	8	56	32	308	356	332	182	260	390	308	241	220	0.70	
55	90	210	175	300	8	70	39	358	420	389	214	283	425.5	333	275	250	0.90	
60	100	232	190	305	8	84	46	388	464	426	236	312	457	364.5	316	265	1.15	
70	100	276	220	310	10	76	43	450	516	483	263	371	527	424	360	300	1.50	

Technical data										
Size	Torque [Nm]		Max. speed [rpm]	Weight with max. bore [kg]			Mass moment of inertia with max. bore [kgm ²]	Dowel screw (10.9)		
	T _{KN}	T _{KN} (42CrMo4)		Sleeve	Hub	Total		z	M	T _A [Nm]
10	930	1580	8500	0.75	0.55	2.73	0.00436	6	M6	15
15	2000	3300	6400	1.88	1.12	6.38	0.01894	8	M8	36
20	3500	6300	5400	2.60	2.09	9.94	0.04000	6	M10	72
25	6500	11000	4500	4.43	3.56	16.83	0.09749	6	M12	125
30	10000	17400	4000	5.83	6.18	25.21	0.18080	8	M12	125
35	17000	28800	3500	9.71	9.87	41.25	0.41419	8	M14	200
40	28500	48500	3100	11.88	16.07	58.14	0.75535	8	M14	200
45	37000	62000	3000	15.72	21.42	77.08	1.17590	10	M14	200
50	51000	86000	2500	25.66	29.59	114.40	2.24991	8	M18	430
55	65000	110000	2300	31.52	40.30	150.41	3.45102	14	M18	430
60	85000	145000	2100	32.82	52.96	177.44	4.16734	14	M18	430
70	135000	240000	1850	43.52	85.77	268.20	9.32429	16	M20	610

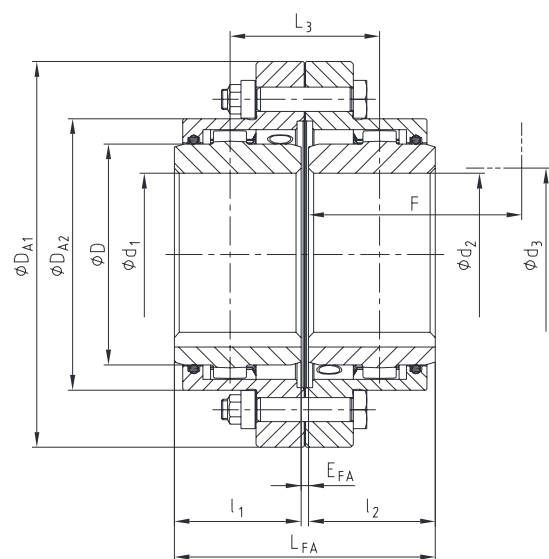
■ = Standard

¹⁾ Space required to align the coupling and replace the gasket

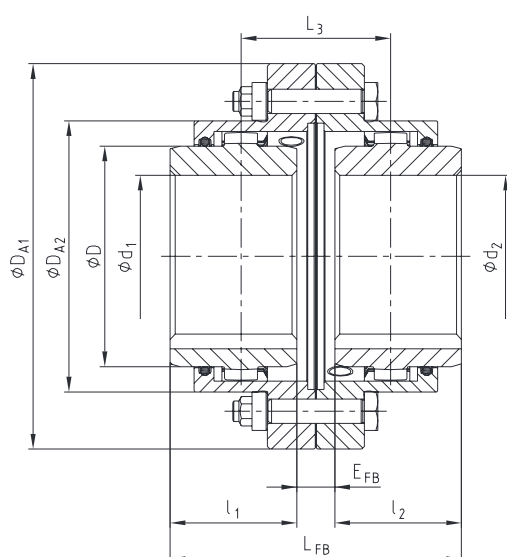
²⁾ Grease capacity for each coupling half

Ordering example:	GEARex® FA 10	d ₁ Ø50	d ₂ Ø50
	Type and size of coupling	Finish bore with keyway to DIN 6885 sheet 1	Finish bore with keyway to DIN 6885 sheet 1

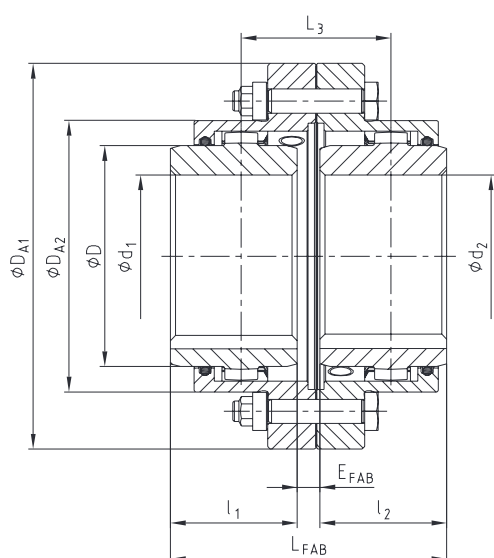
Type FA



Type FB

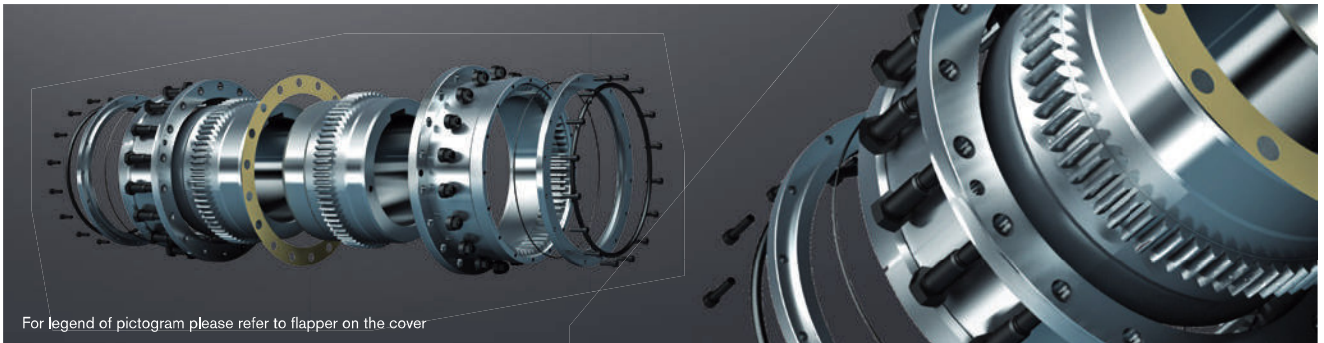


Type FAB

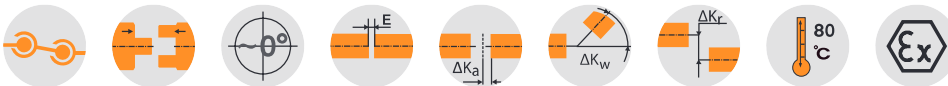


GEARex® DA, DB and DAB All-steel gear couplings

Easy to assemble, high power density



For legend of pictogram please refer to flapper on the cover



Dimensions																
Size	Pilot bore	Max. finish bore d ₁ , d ₂	Dimensions [mm]													Grease capacity [dm ³] ²⁾
			l ₁ , l ₂	EDA	EDB	EDAB	LDA	LDB	LDAB	L ₃	D	DA1	DA2	F ¹⁾	d ₃ ¹⁾	
20	31	80	62	3	31	17	133	155	144	79	108	187	146	105	85	0.08
25	38	98	76	5	29	17	157	181	169	93	130	220	172	115	105	0.12
30	44.5	112	90	5	33	19	185	213	199	109	153	248	194	140	120	0.18
35	46	133	105	6	40	23	216	250	233	128	180	285	228	165	145	0.22
40	52	158	120	6	42	24	246	282	264	144	214	335	270	180	160	0.35
45	80	172	135	8	50	29	278	320	299	164	233	358	294	195	185	0.45
50	80	192	150	8	56	32	388	356	332	182	260	390	332	215	205	0.70
55	90	210	175	8	70	39	358	420	389	214	283	425.5	354	240	220	0.90
60	100	232	190	8	84	46	388	464	426	236	312	457	380	260	245	1.15
70	100	276	220	10	76	43	450	516	483	263	371	527	445	300	290	1.50
80	140	300	280	10	50	30	570	610	590	310	394	545	475	340	310	2.50
85	160	325	292	13	53	33	597	637	617	325	430	585	515	352	330	3.00
90	180	350	305	13	83	48	623	693	658	353	464	640	560	365	360	4.00
100	220	390	330	13	93	53	673	753	713	383	512	690	612	390	400	5.00
110	220	420	350	20	296	158	720	996	858	508	560	765	665	410	420	6.00
120	260	450	420	25	421	223	864	1261	1063	643	608	825	720	480	470	7.50
130	300	500	440	25	415	220	905	1295	1100	660	684	950	805	520	520	9
140	380	550	460	20	430	225	940	1350	1145	685	750	1010	875	570	590	12
150	460	630	520	30	460	245	1070	1500	1285	765	850	1140	975	630	670	15

Technical data										
Size	Torque [Nm]		Max. speed [rpm]	Weight with max. bore [kg]			Mass moment of inertia with max. bore [kgm ²]	Dowel screw (10.9)		
	T _{KN}	T _{KN} (42CrMo4)		Sleeve	Hub	Total		z	M	T _A [Nm]
20	3500	6300	5400	3.6	2.1	12.8	0.056	6	M10	72
25	6500	11000	4500	5.5	3.6	20.3	0.125	6	M12	125
30	10000	17400	4000	6.9	6.2	28.9	0.219	8	M12	125
35	17000	28800	3500	11.2	9.8	46.6	0.488	8	M14	200
40	28500	48500	3100	16.3	15.9	70.9	1.011	8	M14	200
45	37000	62000	3000	20.2	21.4	90.7	1.482	10	M14	200
50	51000	86000	2500	27.0	29.5	123.5	2.474	8	M18	430
55	65000	110000	2300	32.6	40.2	159.1	3.714	14	M18	430
60	85000	145000	2100	32.0	52.8	184.4	4.810	14	M18	430
70	135000	240000	1850	43.8	85.5	280	9.907	16	M20	610
80	175000	300000	1750	64	117	362	14.214	18	M20	610
85	225000	380000	1650	75	148	446	20.320	20	M20	610
90	290000	500000	1550	101	183	568	31.036	20	M24	1000
100	380000	650000	1500	117	232	698	45.358	24	M24	1000
110	480000	820000	1250	140	295	940	73.880	20	M30	1700
120	620000	1050000	1150	188	430	1312	118.40	24	M30	1700
130	-	1450000	1000	319	603	1954	226.732	20	M36	2800
140	-	1950000	950	373	758	2391	328.567	24	M36	2800
150	-	2750000	850	475	983	3069	540.298	30	M36	2800

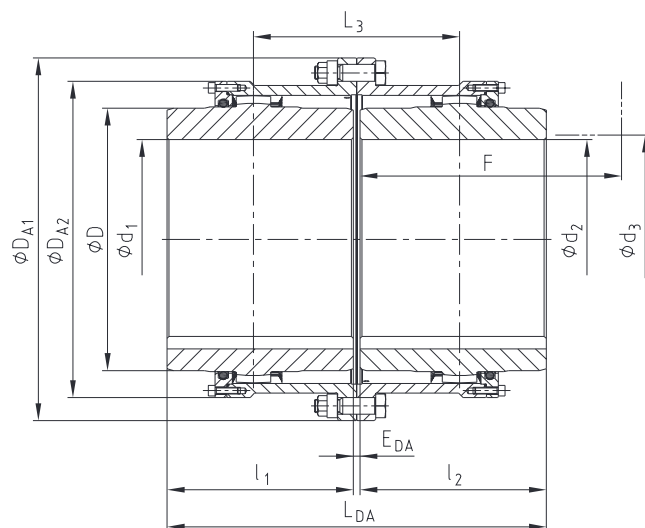
■ = Standard

¹⁾ Space required to align the coupling and replace the gasket

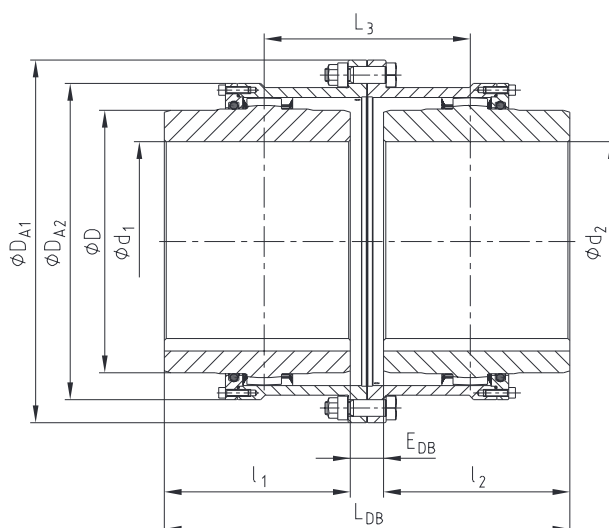
²⁾ Grease capacity for each coupling half

Ordering example:	GEARex® DA 80	d ₁ Ø300	d ₂ Ø300
	Type and size of coupling	Finish bore with keyway to DIN 6885 sheet 1	Finish bore with keyway to DIN 6885 sheet 1

Type DA



Type DB



Type DAB

