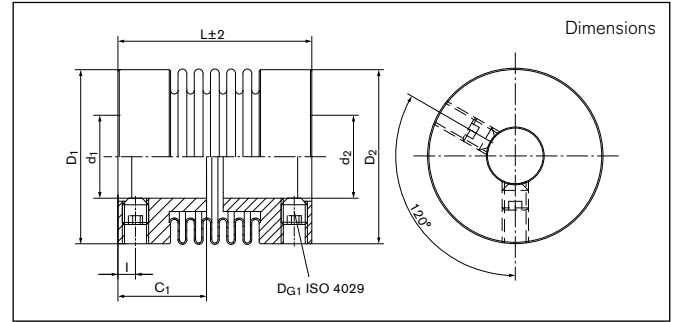


Backlash-free Metal Bellows Couplings

Series EKN



Dimensions

d₁, d_{2min} = Min. bore diameter

d₁, d_{2max} = Max. bore diameter

d₁, d_{2kmin} = Min. bore diameter with keyway

d₁, d_{2kmax} = Max. bore diameter with keyway

C₁ = Guided length in shaft boring d₁

D₁, D₂ = Outer diameter

l = Distance between clamping screw hole and hub end

L = Total length of coupling

Size	d ₁ ; d ₂ min-max		C ₁	D ₁ ; D ₂	l	L
	Without keyway	With keyway				
	mm	mm	mm	mm	mm	mm
4	3 - 9	6 - 8	6	16	2	20/23/26
9	3 - 9	6 - 8	6	16	2	21/25/28
15	3 - 12	6 - 10	10	20	3	25/30
20	3 - 16	6 - 14	11	25	2	26/32/36
45	6 - 22	6 - 16	16	33	4	39/48
100	6 - 28	6 - 25	20	40	4	44/54

Moment of inertia and weight (mass) are calculated with reference to the largest bore size.

Backlash-free Metal Bellows Couplings
Series EKN
Technical Data
T = Transmissible torque at given T_A
 n_{max} = Max. rotation speed

 C_{Tdyn} = Dynamic torsional stiffness

 C_r = Radial spring stiffness

 C_a = Axial spring stiffness

 ΔK_a = Max. permissible axial misalignment

 ΔK_w = Max. permissible angularly misalignment

 ΔK_r = Max. permissible radial misalignment

J = Total moment of inertia

Gw = Weight

D_{G1} = Thread

T_{A1} = Tightened torque of clamping screw (D_{G1})

Size	T	n_{max}	C_{Tdyn}	C_r	C_a	ΔK_a	ΔK_w	ΔK_r	J	Gw	D _{G1}	T _{A1}
	Nm	1/min	10 ³ Nm/rad	N/mm		mm	Grad	mm	10 ⁻³ Kgm ²	kg	mm	Nm
4	0,5	15000	0,25/0,19/0,15	128/54/26	18/13/11	0,2/0,3/0,4	1,2/2/2	0,1/0,15/0,2	2	0,005/0,006/0,007	1 x M3	0,5
9	1,1	15000	0,5/0,38/0,3	187/82/42	36/27/22	0,2/0,3/0,4	1,2/2/2	0,1/0,15/0,2	2/2,3/2,6	0,006/0,007/0,008	1 x M3	0,5
15	1,75	15000	0,75/0,7	139/81	23/12	0,25/0,4	1,2/2	0,1/0,15	7,5/8	0,012/0,014	2 x M4	1,5
20	2,4	15000	1,5/1,3/1,0	147/96/46	18/14/9	0,3/0,4/0,5	1,2/2/2	0,1/0,2/0,25	14/16/17	0,016/0,018/0,020	2 x M3	1,5
45	5,5	15000	6,5/4	444/108	47/29	0,3/0,5	1,2/2	0,1/0,2	68/73	0,048/0,052	2 x M6	3
100	12	15000	8,1/6,7	361/193	46/34	0,4/0,5	1,2/2	0,15/0,25	200/220	0,048/0,058	2 x M6	3

Bore range / Torque values

Size	Ø3	Ø4	Ø5	Ø6	Ø7	Ø8	Ø9	Ø10	Ø11	Ø12	Ø13	Ø14	Ø15	Ø16	Ø17	Ø18	Ø20	Ø22	Ø24	Ø26	Ø28	
4	0,5	0,5	0,5	0,5	0,5	0,5	0,5	---	---	---	---	---	---	---	---	---	---	---	---	---	---	---
9	0,9	0,7	1,1	1,1	1,1	1,1	1,1	---	---	---	---	---	---	---	---	---	---	---	---	---	---	---
15	1,75	1,75	1,75	1,75	1,75	1,75	1,75	1,75	1,75	1,75	---	---	---	---	---	---	---	---	---	---	---	---
20	2,4	2,4	2,4	2,4	2,4	2,4	2,4	2,4	2,4	2,4	2,4	2,4	2,4	2,4	---	---	---	---	---	---	---	---
45	---	---	---	5,5	5,5	5,5	5,5	5,5	5,5	5,5	5,5	5,5	5,5	5,5	5,5	5,5	5,5	5,5	---	---	---	---
100	---	---	---	7,3	8,5	9,7	11	12	12	12	12	12	12	12	12	12	12	12	12	12	12	12

Ordering example: EKN

Series/Size	Length	Bore diameter d ₁	Bore diameter d ₂	Further details
EKN 20	26	6	10	*

* Keyway