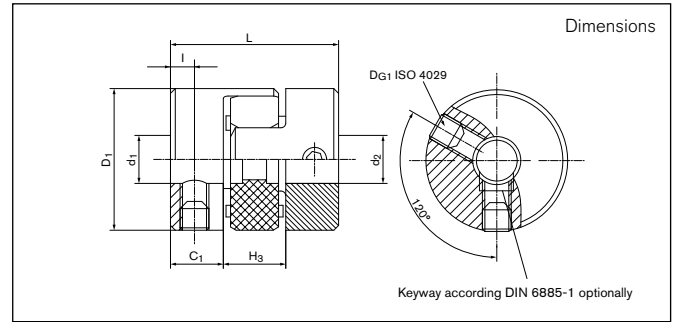


**Backlash-free
Servo-Insert Couplings**

GERWAH® GWE 5102



Dimensions

d₁, d_{2min} = Min. bore diameter

d₁, d_{2max} = Max. bore diameter

d_{1k}, d_{2kmin} = Min. bore diameter with keyway
acc. to DIN 6885-1

d_{1k}, d_{2kmax} = Max. bore diameter with keyway
acc. to DIN 6885-1

C₁ = Guided length in hub boring

D₁ = Outer diameter hub

H₃ = Length of damping part (bellow/elastomer)

I = Distance between center screw hole
and hub end

L = Total length

Size	d ₁ ; d ₂ min-max		d _{1k} ; d _{2k} min-max		C ₁	D ₁	H ₃	I	L
	Without keyway	With keyway							
	mm	mm	mm	mm	mm	mm	mm	mm	mm
5	2 - 5	---	---	5	10	5	2,5	15	
7	3 - 8	6 - 8	7	14	8	2,5	22		
9	3 - 12	6 - 10	10	20	10	5	30		
12	4 - 12	6 - 12	11	25	12	5	34		
14	4 - 16	6 - 16	11	30	13	5	35		
19	6 - 24	6 - 24	25	40	16	10	66		
24	8 - 35	8 - 35	30	55	18	10	78		
28	---	10 - 38	35	65	20	15	90		
38	---	12 - 48	45	80	24	15	114		

Transmission of the couplings transmissible torque T can not longer be guaranteed for certain with borings < d_{min}. Types with borings < d_{min}, however, can be supplied.

Moment of inertia and weight (mass) are calculated with reference to the largest bore size.

To continue see next page

Backlash-free Servo-Insert Couplings
GERWAH® GWE 5102
Technical Data

T = Transmissible torque at given T_A
H_{es} = Hardness of the elastomeric spider
n_{max} = Max. rotation speed

J = Total moment of inertia
Gw = Weight

D_{G1} = Thread diameter
T_{A1} = Tightened torque of clamping screw (G1)

Size	T	H _{es}	n _{max}	J	Gw	D _{G1}	T _{A1}
	Nm		1/min	10 ⁻³ Kgm ²	kg	mm	Nm
5	0,5	92 SH A	47500	0,000034	0,005	1 x M3	1,3
7	1,2	92 SH A	34000	0,000196	0,009	1 x M3	1,3
9	3	92 SH A	24000	0,00108	0,017	2 x M4	3
12	5	92 SH A	19000	0,00284	0,03	2 x M4	5
14	7,5	92 SH A	16000	0,0057	0,041	2 x M6	6
19	10	92 SH A	12000	0,036	0,138	2 x M6	6
24	35	92 SH A	8500	0,162	0,282	2 x M6	6
28	95	92 SH A	7300	0,322	0,454	2 x M6	6
38	190	92 SH A	5900	0,954	0,876	2 x M6	6

Transmissible torque T [Nm]

Size	Ø3	Ø4	Ø5	Ø6	Ø7	Ø8	Ø9	Ø10	Ø12	Ø14	Ø16	Ø18	Ø20	Ø22	Ø24	Ø28
5	0,5	0,5	0,5	---	---	---	---	---	---	---	---	---	---	---	---	---
7	1,2	1,2	1,2	1,2	1,2	1,2	---	---	---	---	---	---	---	---	---	---
9	3	3	3	3	3	3	3	3	3	---	---	---	---	---	---	---
12	---	5	5	5	5	5	5	5	5	---	---	---	---	---	---	---
14	---	7,5	7,5	7,5	7,5	7,5	7,5	7,5	7,5	7,5	7,5	---	---	---	---	---
19	---	---	---	10	10	10	10	10	10	10	10	10	10	10	10	---
24	---	---	---	---	---	20	22	24	29	34	35	35	35	35	35	35
28	---	---	---	---	---	---	---	95	95	95	95	95	95	95	95	95
38	---	---	---	---	---	---	---	---	190	190	190	190	190	190	190	190

Ordering example: GWE 5102

Series/Size	Bore diameter d ₁	Bore diameter d ₂	Further details
GWE 5102-14	10	14	*

* Keyway

Subject to technical changes.