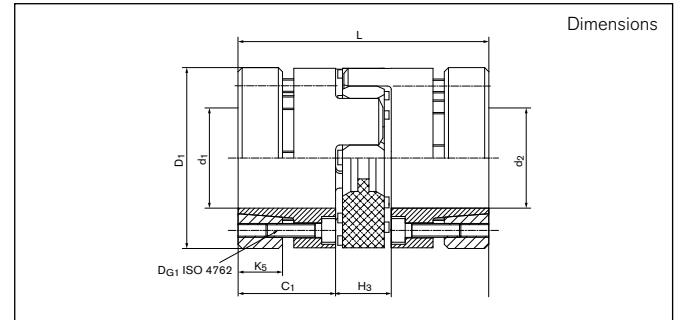


**Backlash-free
Servo-Insert Couplings**

GERWAH® GWE 5112



Dimensions

d₁, d_{2min} = Min. bore diameter without keyway
d₁, d_{2max} = Max. bore diameter without keyway
C₁ = Guided length in hub boring

D₁ = Outer diameter hub
H₃ = Length of damping part

K₅ = Width of clamping ring
L = Total length

Size	d ₁ ; d ₂ min-max	C ₁	D ₁	H ₃	K ₅	L
	Without keyway					
	mm	mm	mm	mm	mm	mm
14	6 - 14	18,5	32	13	8	50
19	8 - 20	25	40	16	10	66
24	11 - 25	30	55	18	13	78
28	15 - 36	35	65	20	16	90
38	20 - 41	45	80	24	22	114
42	25 - 50	50	95	26	25	134
48	28 - 55	56	105	28	28	140

Transmission of the couplings transmissible torque T can not longer be guaranteed for certain with borings < d_{min}. Types with borings < d_{min}, however, can be supplied.

Moment of inertia and weight (mass) are calculated with reference to the largest bore size.

To continue see next page

Backlash-free Servo-Insert Couplings
GERWAH® GWE 5112
Technical Data

T = Transmissible torque at given T_A
H_{es} = Hardness of the elastomeric spider
n_{max} = Max. rotation speed

J = Total moment of inertia
Gw = Weight

D_{G1} = Thread diameter
T_{A1} = Tightened torque of clamping screw (G1)

Size	T	H _{es}	n _{max}	J	Gw	D _{G1}	T _{A1}
	Nm		1/min	10 ⁻³ Kgm ²	kg	mm	Nm
14	12,5	98 SH A	25400	0,014	0,042	M3	1,8
19	17	98 SH A	19000	0,063	0,158	M4	3
24	60	98 SH A	13800	0,26	0,304	M5	6
28	160	98 SH A	11700	0,63	0,505	M5	6
38	325	98 SH A	9550	1,96	0,934	M6	10
42	450	98 SH A	8050	6,43	3,8	M8	35
48	525	98 SH A	7200	10,54	4,9	M10	69

Transmissible torque T [Nm]

Size	Ø6	Ø10	Ø11	Ø13	Ø14	Ø15	Ø17	Ø19	Ø20	Ø24	Ø25	Ø27	Ø30	Ø32	Ø36	Ø38	Ø42	Ø44	Ø48	Ø50	Ø55
14	3,6	9	12,5	12,5	12,5	---	---	---	---	---	---	---	---	---	---	---	---	---	---	---	---
19	---	17	17	17	17	17	17	17	17	---	---	---	---	---	---	---	---	---	---	---	---
24	---	---	22	37	46	56	60	60	60	60	60	---	---	---	---	---	---	---	---	---	---
28	---	---	---	---	---	56	68	114	134	160	160	160	160	160	160	---	---	---	---	---	---
38	---	---	---	---	---	---	---	---	134	230	261	325	325	325	325	325	---	---	---	---	---
42	---	---	---	---	---	---	---	---	---	---	260	329	450	450	450	450	450	450	450	450	---
48	---	---	---	---	---	---	---	---	---	---	---	326	450	525	525	525	525	525	525	525	525

Ordering example: GWE 5112

Series/Size	Bore diameter d ₁	Bore diameter d ₂	Further details
GWE 5112-42	32	41	*

* Different spider shore hardness

Subject to technical changes.