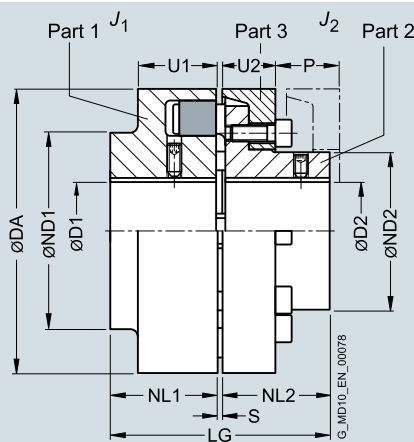


# FLENDER Standard Couplings

## Flexible Couplings – N-EUPEX and N-EUPEX DS Series

Type A for easy elastomer flexible replacement

### Selection and ordering data



Size	Rated torque flexible type 80 ShoreA $T_{KN}$ Nm	Speed $n_{Kmax}$ rpm	Dimensions in mm Bore with keyway to DIN 6885											Mass moment of inertia $J_1/J_2$ kgm <sup>2</sup>	Article No. Order codes for bore diameters and tolerances are specified in catalog section 3	Weight $m$ kg		
			D1 min.	D1 max.	D2 min.	D2 max.	DA	ND1	ND2	NL1/ NL2	S	U1	U2				P	LG
110	160	5300	-	48	-	38	110	86	62	40	3	34	20	33	83	0.003	2LC0100-4AB -0AA0	3
125	240	5100	-	55	-	45	125	100	75	50	3	36	23	38	103	0.005	2LC0100-5AB -0AA0	4.8
140	360	4900	-	60	-	50	140	100	82	55	3	34	28	43	113	0.008	2LC0100-6AB -0AA0	6
160	560	4250	-	65	-	58	160	108	95	60	4	39	28	47	124	0.014	2LC0100-7AB -0AA0	8.4
180	880	3800	-	75	-	65	180	125	108	70	4	42	30	50	144	0.025	2LC0100-8AB -0AA0	12
200	1340	3400	-	85	-	75	200	140	122	80	4	47	32	53	164	0.04	2LC0101-0AB -0AA0	17
225	2000	3000	-	90	-	85	225	150	138	90	4	52	38	61	184	0.08	2LC0101-1AB -0AA0	23
250	2800	2750	46	100	-	95	250	165	155	100	5.5	60	42	69	205.5	0.13	2LC0101-2AB -0AA0	31
280	3900	2450	49	110	54	105	280	180	172	110	5.5	65	42	73	225.5	0.20	2LC0101-3AB -0AA0	41
315	5500	2150	49	100	46	100	315	165	165	125	5.5	70	47	78	255.5	0.32	2LC0101-4AB -0AA0	57
350	7700	2000	90	120	90	120	200	200								0.35		61
			61	110	61	110	350	180	180	140	5.5	74	51	83	285.5	0.54	2LC0101-5AB -0AA0	78
400	10300	1700	90	140	90	140	230	230								0.61		82
			66	120	66	120	400	200	200	160	5.5	78	56	88	325.5	1.0	2LC0101-6AB -0AA0	112
440	13500	1550	100	150	100	150	250	250								1.1		117
			80	130	80	130	440	215	215	180	7.5	86	64	99	367.5	1.5	2LC0101-7AB -0AA0	147
480	16600	1400	120	160	120	160	265	265								1.7		155
			90	145	90	145	480	240	240	190	7.5	90	65	104	387.5	2.3	2LC0101-8AB -0AA0	184
520	21200	1300	136	180	136	180	300	300								2.6		200
			100	150	100	150	520	250	250	210	7.5	102	68	115	427.5	3.3	2LC0102-0AB -0AA0	234
560	29000	1200	140	190	140	190	315	315								3.7		254
			120	200	120	200	560	320	320	220	9	115	80	125	449	6.0	2LC0102-1AB -0AA0	329
610	38000	1100	130	220	130	220	610	352	352	240	9	121	88	135	489	9.0	2LC0102-2AB -0AA0	416
660	49000	1000	140	240	140	240	660	384	384	260	9	132	96	145	529	13.5	2LC0102-3AB -0AA0	546
710	62000	1000	140	260	140	260	710	416	416	290	9	138	102	155	589	19	2LC0102-4AB -0AA0	680

- ØD1:
  - Without finished bore – Without order codes
  - Without finished bore sizes 315 to 520 for 2nd diameter range D1 – Without order codes
  - With finished bore – With order codes for diameter and tolerance (article number without "-Z")
- ØD2:
  - Without finished bore – Without order codes
  - Without finished bore sizes 315 to 520 for 2nd diameter range D2 – Without order codes
  - With finished bore – With order codes for diameter and tolerance (article number without "-Z")

The hub diameter of the component part is assigned according to the diameter of the finished bore. Where bore diameters overlap, the component with the smaller hub diameter is always selected.

Weights and mass moments of inertia apply to maximum bore diameters.

The article number applies to standard flexibles of 80 ShoreA; the article number for alternative flexible types is available on request.

**Ordering example:**  
 N-EUPEX A coupling, size 200,  
 Part 1: Bore D1 65H7 mm, keyway to DIN 6885-1 and set screw,  
 Part 2: Bore D2 50H7 mm, keyway to DIN 6885-1 and set screw.

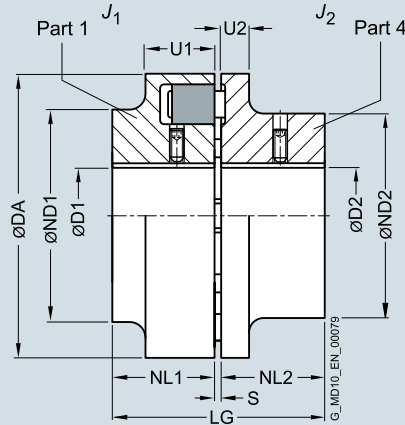
Article No.:  
**2LC0101-0AB99-0AA0**  
**L1F+M1C**

# FLENDER Standard Couplings

## Flexible Couplings – N-EUPEX and N-EUPEX DS Series

Type B

### Selection and ordering data



Size	Rated torque flexible type 80 ShoreA $T_{KN}$ Nm	Speed $n_{Kmax}$ rpm	Dimensions in mm											Mass moment of inertia $J_1/J_2$ kgm <sup>2</sup>	Article No. Order codes for bore diameters and tolerances are specified in catalog section 3	Weight $m$ kg	
			Bore with keyway to DIN 6885		DA	ND1	ND2	NL1/ S NL2	U1	U2	LG	D1 min.	D2 max.				
58	19	7500	-	19										-	24	58	58
68	34	7000	-	24	-	28	68	68	50	20	3	20	8	43	0.0002	2LC0100-1AA ■ ■ -0AA0	0.54
80	60	6000	-	30	-	38	80	80	68	30	3	30	10	63	0.0006	2LC0100-2AA ■ ■ -0AA0	1.3
95	100	5500	-	42	-	42	95	76	76	35	3	30	12	73	0.0013	2LC0100-3AA ■ ■ -0AA0	2.2
110	160	5300	-	48	-	48	110	86	86	40	3	34	14	83	0.003	2LC0100-4AA ■ ■ -0AA0	3.3
125	240	5100	-	55	-	55	125	100	100	50	3	36	18	103	0.006	2LC0100-5AA ■ ■ -0AA0	5.2
140	360	4900	-	60	-	60	140	100	100	55	3	34	20	113	0.007	2LC0100-6AA ■ ■ -0AA0	5.6
160	560	4250	-	65	-	65	160	108	108	60	4	39	20	124	0.01	2LC0100-7AA ■ ■ -0AA0	7.8
180	880	3800	-	75	-	75	180	125	125	70	4	42	20	144	0.02	2LC0100-8AA ■ ■ -0AA0	11.5
200	1340	3400	-	85	-	85	200	140	140	80	4	47	24	164	0.04	2LC0101-0AA ■ ■ -0AA0	16
225	2000	3000	-	90	-	90	225	150	150	90	4	52	18	184	0.07	2LC0101-1AA ■ ■ -0AA0	20
250	2800	2750	46	100	46	100	250	165	165	100	5.5	60	18	205.5	0.12	2LC0101-2AA ■ ■ -0AA0	29
280	3900	2450	49	110	54	110	280	180	180	110	5.5	65	20	225.5	0.18	2LC0101-3AA ■ ■ -0AA0	38
ØD1:																1	
• Without finished bore – Without order codes																9	
• With finished bore – With order codes for diameter and tolerance (article number without "-Z")																9	
ØD2:																1	
• Without finished bore – Without order codes																9	
• With finished bore – With order codes for diameter and tolerance (article number without "-Z")																9	

Weights and mass moments of inertia apply to maximum bore diameters.

#### Ordering example:

N-EUPEX B coupling, size 95,  
 Part 1: Bore D1 42H7 mm, keyway to DIN 6885-1 and set screw,  
 Part 2: Bore D2 32H7 mm, keyway to DIN 6885-1 and set screw.

Article No.:

**2LC0100-3AA99-0AA0**  
**LOX+M0T**

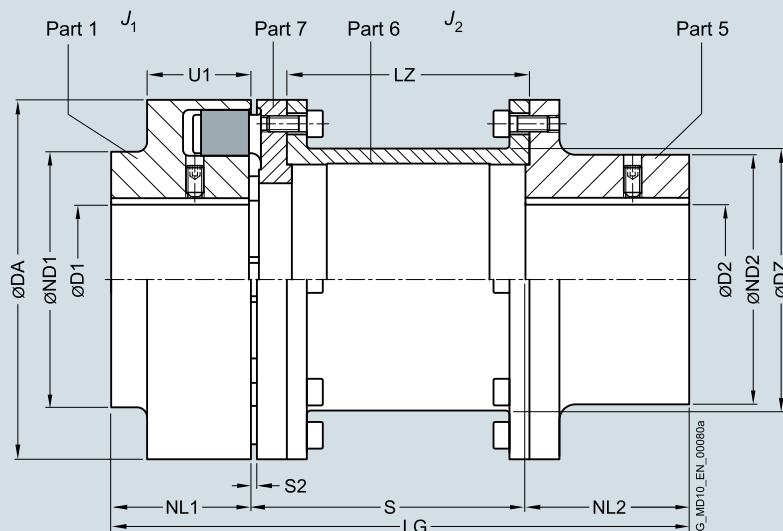
The article number applies to standard flexibles of 80 ShoreA; the article number for alternative flexible types is available on request.

# FLENDER Standard Couplings

## Flexible Couplings – N-EUPEX and N-EUPEX DS Series

### Type H

#### Selection and ordering data



For dimension U1, see type A

Size	Rated torque flexible type 80 ShoreA $T_{KN}$ Nm	Speed $n_{Kmax}$ rpm	Dimensions in mm														Mass moment of inertia		Article No. Order codes for bore diameters and tolerances are specified in catalog section 3	Weight $m$ kg															
			Bore with keyway to DIN 6885		D1		D2		DA		ND1		ND2		NL1		NL2				S2	S	LZ	DZ	LG	$J_1$	$J_2$								
			min.	max.	min.	max.																													
80	60	6000	-	30	-	32	80	80	55	30	45	5	100	87	51	175	0.0006	0.001	2LC0100-2AG	■	■	-0AA0	2.6												
													140	127	215	0.001								2LC0100-2AG	■	■	-0AB0	2.7							
95	100	5500	-	42	-	42	95	76	70	35	45	5	100	87	63	180	0.001	0.003	2LC0100-3AG	■	■	-0AA0	3.5												
													140	127	220	0.003								2LC0100-3AG	■	■	-0AB0	3.8							
110	160	5300	-	48	-	48	110	86	80	40	50	5	100	85	73	190	0.003	0.005	2LC0100-4AG	■	■	-0AA0	5.2												
													140	125	230	0.006								2LC0100-4AG	■	■	-0AB0	5.4							
													180	165	280	0.006								2LC0100-4AG	■	■	-0AC0	6.0							
125	240	5100	-	55	-	55	125	100	90	50	5	5	100	85	85	200	0.005	0.01	2LC0100-5AG	■	■	-0AA0	7.2												
													140	125	240	0.01								2LC0100-5AG	■	■	-0AB0	7.7							
													180	165	290	0.011								2LC0100-5AG	■	■	-0AC0	8.2							
													200	185	320	0.012								2LC0100-5AG	■	■	-0AD0	8.5							
													250	235	380	0.012								2LC0100-5AG	■	■	-0AE0	9							
140	360	4900	-	60	-	60	140	100	100	55	65	5	100	82	91	220	0.007	0.018	2LC0100-6AG	■	■	-0AA0	10.0												
													140	122	260	0.019								2LC0100-6AG	■	■	-0AB0	10.5							
													180	162	300	0.02								2LC0100-6AG	■	■	-0AC0	11.0							
													200	182	320	0.021								2LC0100-6AG	■	■	-0AD0	11.3							
													250	232	385	0.022								2LC0100-6AG	■	■	-0AE0	12.0							
160	560	4250	-	65	-	65	160	108	108	60	70	6	100	81.5	111	230	0.013	0.03	2LC0100-7AG	■	■	-0AA0	13												
													140	121.5	270	0.032								2LC0100-7AG	■	■	-0AB0	13.7							
													180	161.5	310	0.034								2LC0100-7AG	■	■	-0AC0	14.5							
													200	181.5	330	0.035								2LC0100-7AG	■	■	-0AD0	14.9							
													250	231.5	390	0.037								2LC0100-7AG	■	■	-0AE0	15.9							
180	880	3800	-	75	-	75	180	125	125	70	80	6	140	121.5	131	290	0.023	0.054	2LC0100-8AG	■	■	-0AB0	18.5												
													180	161.5	330	0.058								2LC0100-8AG	■	■	-0AC0	19.4							
													200	181.5	350	0.060								2LC0100-8AG	■	■	-0AD0	21							
													250	231.5	400	0.065								2LC0100-8AG	■	■	-0AE0	22							

- |      |  |   |
|------|--|---|
| øD1: | • Without finished bore – Without order codes  | 1 |
|      | • With finished bore – With order codes for diameter and tolerance (article number without "-Z") | 9 |
| øD2: | • Without finished bore – Without order codes  | 1 |
|      | • With finished bore – With order codes for diameter and tolerance (article number without "-Z") | 9 |

# FLENDER Standard Couplings

## Flexible Couplings – N-EUPEX and N-EUPEX DS Series

Type H

Size	Rated torque flexible type 80 ShoreA $T_{KN}$ Nm	Speed $n_{Kmax}$ rpm	Dimensions in mm															Mass moment of inertia		Article No. Order codes for bore diameters and tolerances are specified in catalog section 3	Weight $m$ kg
			Bore with keyway to DIN 6885															$J_1$	$J_2$		
			D1	D2		DA	ND1	ND2	NL1	NL2	S2	S	LZ	DZ	LG	kgm <sup>2</sup>	kgm <sup>2</sup>				
min.	max.	min.	max.																		
<b>200</b>	1340	3400	-	85	-	85	200	140	140	80	90	6	140	118.5	144	310	0.04	0.095	<b>2LC0101-0AG</b> ■ ■ -0AB0	25.6	
													180	158.5		350		0.1		<b>2LC0101-0AG</b> ■ ■ -0AC0	26.5
													200	178.5		370		0.105		<b>2LC0101-0AG</b> ■ ■ -0AD0	27.2
													250	228.5		420		0.11		<b>2LC0101-0AG</b> ■ ■ -0AE0	28.5
<b>225</b>	2000	3000	-	90	-	90	225	150	150	90	100	6	140	118.5	169	330	0.07	0.158	<b>2LC0101-1AG</b> ■ ■ -0AB0	34	
													180	158.5		370		0.16		<b>2LC0101-1AG</b> ■ ■ -0AC0	35
													200	178.5		390		0.17		<b>2LC0101-1AG</b> ■ ■ -0AD0	36
													250	228.5		440		0.18		<b>2LC0101-1AG</b> ■ ■ -0AE0	38
<b>250</b>	2800	2750	46	100	46	100	250	165	165	100	110	8	180	152.5	185	390	0.12	0.27	<b>2LC0101-2AG</b> ■ ■ -0AC0	48	
													200	172.5		410		0.28		<b>2LC0101-2AG</b> ■ ■ -0AD0	50
													250	222.5		460		0.3		<b>2LC0101-2AG</b> ■ ■ -0AE0	52
<b>280</b>	3900	2450	49	110	51	110	280	180	180	110	120	8	250	222.5	215	480	0.20	0.52	<b>2LC0101-3AG</b> ■ ■ -0AE0	70	
<b>315</b>	5500	2150	49	100	51	120	315	165	200	125	140	8	250	222.5	250	515	0.32	0.87	<b>2LC0101-4AG</b> ■ ■ -0AE0	98	
			90	120		200												0.35			100
<b>350</b>	7700	2000	61	110	51	140	350	180	230	140	150	8	250	220.5	272	540	0.54	1.4	<b>2LC0101-5AG</b> ■ ■ -0AE0	120	
			90	140		230												0.61			<b>2LC0101-5AG</b> ■ ■ -0AE0
<b>400</b>	10300	1700	66	120	51	150	400	200	250	160	180	8	250	185.5	310	590	1.0	2.9	<b>2LC0101-6AG</b> ■ ■ -0AE0	195	
			100	150		250												1.1			<b>2LC0101-6AG</b> ■ ■ -0AE0
<b>440</b>	13500	1550	80	130	51	160	440	215	265	180	180	10	250	182	354	610	1.5	4.1	<b>2LC0101-7AG</b> ■ ■ -0AE0	225	
			120	160		265												1.7			<b>2LC0101-7AG</b> ■ ■ -0AE0
$\varnothing D1$ : <ul style="list-style-type: none"> <li>Without finished bore – Without order codes</li> <li>Without finished bore sizes 315 to 440 for 2nd diameter range D1 – Without order codes</li> <li>With finished bore – With order codes for diameter and tolerance (article number without "-Z")</li> </ul>																			1		
																			2		
																			9		
$\varnothing D2$ : <ul style="list-style-type: none"> <li>Without finished bore – Without order codes</li> <li>Without finished bore sizes 315 to 440 for 2nd diameter range D2 – Without order codes</li> <li>With finished bore – With order codes for diameter and tolerance (article number without "-Z")</li> </ul>																			1		
																			2		
																			9		

During assembly, the gap dimension S2 must not exceed the permissible tolerance of +1 mm.

The hub diameter of the component part is assigned according to the diameter of the finished bore. Where bore diameters overlap, the component with the smaller hub diameter is always selected.

Weights and mass moments of inertia apply to maximum bore diameters.

#### Ordering example:

N-EUPEX H coupling, size 160, S = 200 mm,

Part 1: Bore D1 60H7 mm, keyway to DIN 6885-1 and set screw,

Part 2: Bore D2 55H7 mm, keyway to DIN 6885-1 and set screw.

Article No.:

**2LC0100-7AG99-0AD0**  
**L1E+M1D**

The article number applies to standard flexibles of 80 ShoreA; the article number for alternative flexible types is available on request.