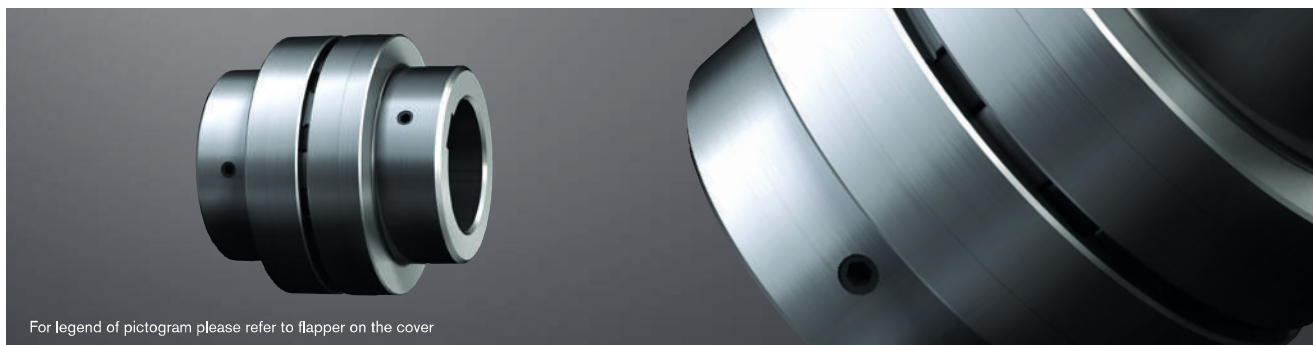


POLY-NORM® AR Flexible couplings

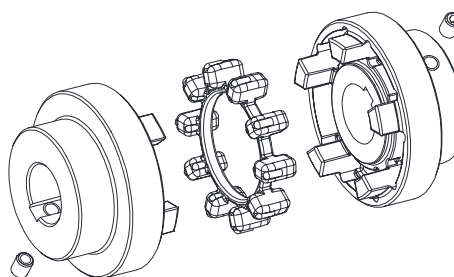
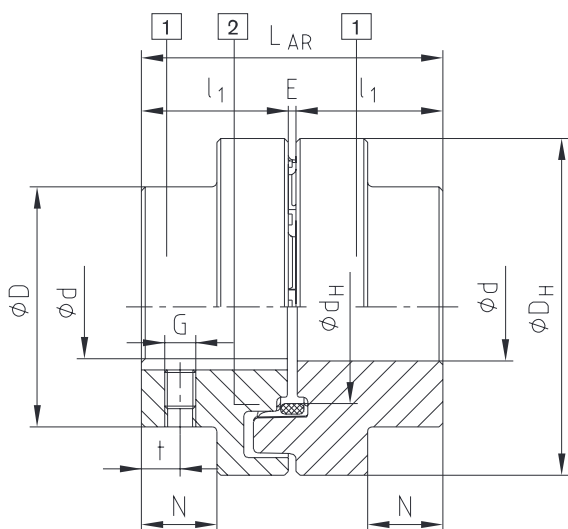
Two-part



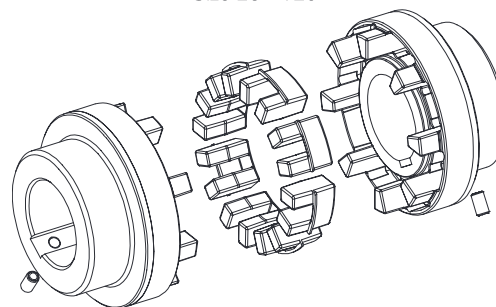
For legend of pictogram please refer to flapper on the cover



Components



Size 28 - 125



Size 140 - 280

Components of type AR:
1 = Standard hub (GJL)
2 = Elastomer ring (up to size 180: NBR 78 ShA; from size 200: T-PUR® 84 ShA)

POLY-NORM® Type AR														
Size	Elastomer ring ¹⁾ (part 2) Torque [Nm]		Max. finish bore d ²⁾	Dimensions [mm]									Mass moment of inertia ³⁾ [kgm ²]	Weight ³⁾ [kg]
				General						Thread for setscrews ²⁾				
				LAR	l ₁	E	D	d _H	N	G	t			
28	40	80	30	59	28	3	69	46	36.5	12	M5	7	0.0004	0.9
32	60	120	35	68	32	4	78	53	41.5	14	M8	7	0.0008	1.4
38	90	180	40	80	38	4	87	62	50	19.5	M8	10	0.0016	2.0
42	150	300	45	88	42	4	96	69	55.5	20	M8	10	0.0026	2.7
48	220	440	50	101	48	5	106	78	64	24	M8	15	0.0042	3.7
55	300	600	60	115	55	5	118	90	73	29	M8	14	0.0070	5.5
60	410	820	65	125	60	5	129	97	81	33	M8	15	0.0112	6.9
65	550	1100	70	135	65	5	140	105	86	36	M10	20	0.0174	8.8
75	850	1700	80	155	75	5	158	123	100	42.5	M10	20	0.028	13.5
85	1350	2700	90	175	85	5	182	139	116	48.5	M10	25	0.052	19.5
90	2000	4000	95	185	90	5	200	148	128	49	M12	25	0.090	23.2
100	2900	5800	110	206	100	6	224	165	143	55	M12	25	0.160	31.9
110	3900	7800	50-120	226	110	6	250	185	158	60	M16	30	0.317	38.0
125	5500	11000	55-140	256	125	6	280	210	178	70	M16	35	0.570	55.2
140	7200	14400	65-155	286	140	6	315	235	216	76.5	M20	35	1.030	92.6
160	10000	20000	75-175	326	160	6	350	265	246	94.5	M20	45	1.746	126.9
180	13400	26800	75-200	366	180	6	400	300	290	111.5	M20	50	3.239	181.8
200	19000	38000	85-200	408	200	8	450	335	-	126	M24	50	5.728	263.7
220	30000	60000	95-220	448	220	8	500	370	-	140	M24	50	9.489	355.9
240	43000	86000	105-240	488	240	8	550	405	-	154	M24	50	14.963	466.3
260	55000	110000	115-260	530	260	10	650	440	-	158	M24	60	29.504	672.2
280	67000	134000	125-280	570	280	10	700	475	-	172	M24	60	42.451	836.6

¹⁾ Standard material Perbunan [NBR] 78 Shore A, size 140 - 280 double tooth elastomers, for selection see page 14 et seqq.

²⁾ Bores H7 with keyway to DIN 6885 sheet 1 [JS9] and thread for setscrew on the keyway

³⁾ Referring to average bore

POLY-NORM® AR Flexible couplings

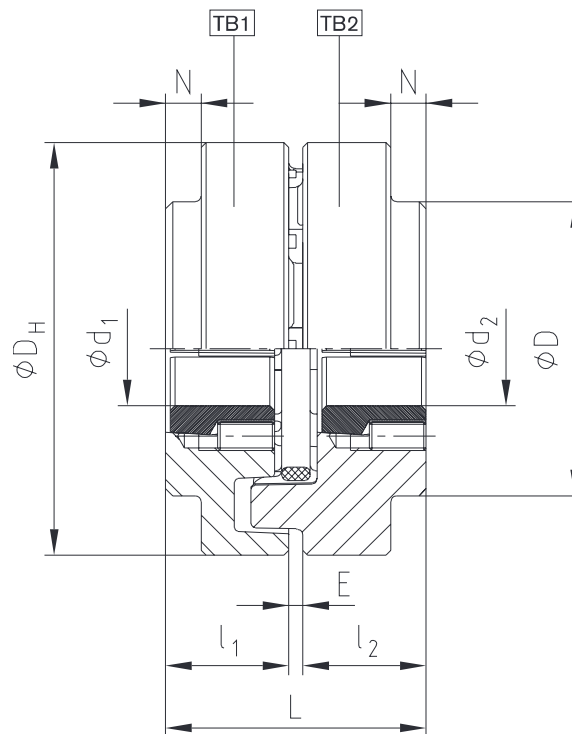
For taper clamping sleeve



For legend of pictogram please refer to flapper on the cover



Components



POLY-NORM® for taper clamping sleeve															
Size	Taper clamping sleeve	Dimensions [mm]		Fastening screws ¹⁾ for taper clamping sleeve				Size	Taper clamping sleeve	Dimensions [mm]		Fastening screws ¹⁾ for taper clamping sleeve			
		Max. d1, d2	l1, l2	Size [Inch]	Length [mm]	SW [mm]	TA [Nm]			Max. d1, d2	l1, l2	Size [Inch]	Length [mm]	SW [mm]	TA [Nm]
32	1108	25	25,5	1/4"	13	3	5,7	75	2517	60	52,5	1/2"	25	6	49
42	1210	32	31,0	3/8"	16	5	20	85	2517	60	46,5	1/2"	25	6	49
48	1610	40	30,0	3/16"	16	5	20		3030	75	82	5/8"	32	8	90
	1615	40	42,5	3/8"	16	5	20	3020	75	52,0	5/8"	32	8	92	
60	2012	50	38,5	7/16"	22	6	31	100	3535	90	98,0	1/2"	38	10	115
65	2517	60	62,5	1/2"	25	6	49	125	4040	100	111,5	5/8"	45	12	172

¹⁾ Each 2 fastening screws, with 3535/4040 3-off
For coupling type TB1 screwing on cam side - TB2 screwing on collar side
Combination possible! Please order our separate dimension sheet (M407045).

Ordering example:	POLY-NORM® 38	AR	Ø38	Ø30
	Coupling size	Type	Finish bore	Finish bore