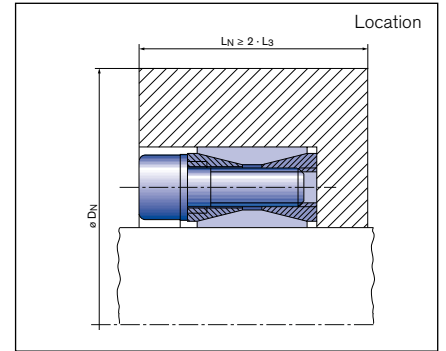
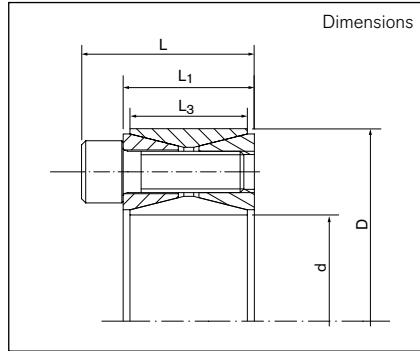
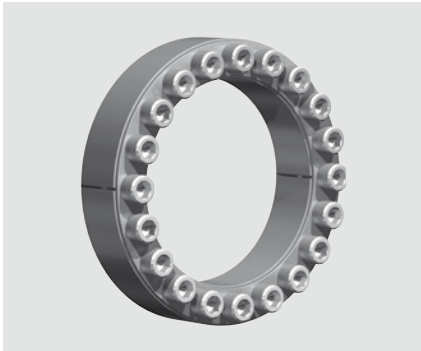


RINGFEDER® Locking Assemblies

# RfN 7012



<b>d</b> = Inner diameter	<b>T</b> = Transmissible torque at given $T_A$	<b><math>D_N</math></b> = Minimum required outside hub diameter
<b>D</b> = Outer diameter	<b><math>F_{ax}</math></b> = Transmissible axial force	<b><math>R_{p0,2}</math></b> = Minimum required yield point of hub material
<b><math>D_1</math></b> = Collar outer diameter	<b><math>p_W</math></b> = Shaft pressure at given $T_A$	<b><math>T_{max}</math></b> = Maximum transmissible torque
<b>L</b> = Overall width	<b><math>p_N</math></b> = Hub pressure at given $T_A$	<b><math>L_N</math></b> = Flange width
<b><math>L_1</math></b> = Overall width without screws	<b><math>n_{Sc}</math></b> = Quantity of locking screws	
<b><math>L_3</math></b> = Clamping length	<b><math>D_G</math></b> = Clamping thread	
<b><math>L_4</math></b> = Installation length until collar	<b><math>T_A</math></b> = Maximum tightened torque of the screws	

Locking Assembly dimensions				Transmissible torques or axial forces		Surface pressure		Locking screws			Weight	min. $D_N^*$			$T_{max}$				
d	x	D	L	$L_1$	$L_3$	T	$F_{ax}$	Shaft $p_W$	Hub $p_N$	n	ISO 4762-12.9 Thread		$T_A$	~		$R_{p0,2}$ [N/mm <sup>2</sup> ]			
											$d_G$				200	300	400		
mm			mm			Nm	kN	N/mm <sup>2</sup>				Nm	kg	mm			Nm		
19	x	47	27,5	20	17	306	32	265	107	8	M 6	x	18	17	0,24	67	59	56	356
20	x	47	27,5	20	17	321	32	251	107	8	M 6	x	18	17	0,24	67	59	56	374
22	x	47	27,5	20	17	351	32	227	106	8	M 6	x	18	17	0,23	66	59	56	412
24	x	50	27,5	20	17	429	36	232	112	9	M 6	x	18	17	0,26	72	64	60	506
25	x	50	27,5	20	17	446	36	223	111	9	M 6	x	18	17	0,25	72	64	60	526
28	x	55	27,5	20	17	496	35	197	100	9	M 6	x	18	17	0,3	76	68	65	590
30	x	55	27,5	20	17	529	35	183	100	9	M 6	x	18	17	0,29	76	68	65	632
32	x	60	27,5	20	17	749	47	228	122	12	M 6	x	18	17	0,34	89	78	73	899
35	x	60	27,5	20	17	815	47	208	121	12	M 6	x	18	17	0,32	89	78	73	983
38	x	65	27,5	20	17	1.101	58	238	139	15	M 6	x	18	17	0,36	102	87	81	1.334
40	x	65	27,5	20	17	1.154	58	225	139	15	M 6	x	18	17	0,34	102	87	81	1.404
42	x	75	33,5	24	20	1.768	84	266	149	12	M 8	x	22	41	0,6	122	103	95	2.158
45	x	75	33,5	24	20	1.886	84	247	148	12	M 8	x	22	41	0,57	122	103	95	2.312
48	x	80	33,5	24	20	2.004	83	231	138	12	M 8	x	22	41	0,62	125	107	100	2.466
50	x	80	33,5	24	20	2.082	83	221	138	12	M 8	x	22	41	0,6	125	107	100	2.568
55	x	85	33,5	24	20	2.656	97	233	151	14	M 8	x	22	41	0,63	140	117	108	3.296
60	x	90	33,5	24	20	2.881	96	212	142	14	M 8	x	22	41	0,69	143	122	113	3.596
65	x	95	33,5	24	20	3.550	109	223	153	16	M 8	x	22	41	0,73	156	131	121	4.452
70	x	110	39,5	28	24	5.432	155	245	156	14	M 10	x	25	83	1,26	184	153	141	6.844
75	x	115	39,5	28	24	5.795	155	228	149	14	M 10	x	25	83	1,33	187	157	145	7.333
80	x	120	39,5	28	24	6.156	154	213	142	14	M 10	x	25	83	1,4	190	162	150	7.822
85	x	125	39,5	28	24	7.447	175	228	155	16	M 10	x	25	83	1,49	208	173	159	9.498

To continue see next page

RINGFEDER® Locking Assemblies

RfN 7012

Locking Assembly dimensions						Transmissible torques or axial forces		Surface pressure		Locking screws ISO 4762-12.9			Weight	min. D <sub>N</sub> * Rp0,2 [N/mm <sup>2</sup> ]			T <sub>max</sub>	
d	x	D	L	L <sub>1</sub>	L <sub>3</sub>	T	F <sub>ax</sub>	Shaft p <sub>w</sub>	Hub p <sub>N</sub>	n	Thread d <sub>G</sub>		T <sub>A</sub>	~	200	300		400
mm			mm			Nm	kN	N/mm <sup>2</sup>					Nm	kg	mm			Nm
90	x	130	39,5	28	24	7.857	175	214	148	16	M 10	x 25	83	1,53	211	177	164	10.057
95	x	135	39,5	28	24	7.857	175	214	148	18	M 10	x 25	83	1,62	229	189	173	10.057
100	x	145	47	33	26	11.126	223	227	157	14	M 12	x 30	145	2,01	243	202	185	14.335
110	x	155	47	33	26	12.166	221	205	146	14	M 12	x 30	145	2,15	249	210	195	15.768
120	x	165	47	33	26	15.085	251	214	155	16	M 12	x 30	145	2,35	274	228	210	19.659
130	x	180	52	38	34	20.326	313	188	136	20	M 12	x 30	145	3,51	279	239	222	26.621
140	x	190	52	38	34	23.967	342	191	141	22	M 12	x 35	145	3,85	299	255	237	31.536
150	x	200	52	38	34	27.893	372	193	145	24	M 12	x 35	145	4,07	320	271	250	36.860
160	x	210	52	38	34	32.102	401	196	149	26	M 12	x 35	145	4,3	341	287	265	42.594
170	x	225	60	44	38	39.326	463	190	144	22	M 14	x 40	230	5,78	358	304	281	52.377
180	x	235	60	44	38	45.262	503	195	149	24	M 14	x 40	230	6,05	385	325	300	60.499
190	x	250	68	52	46	55.552	585	177	135	28	M 14	x 45	230	8,25	385	331	308	74.504
200	x	260	68	52	46	62.452	625	175	135	30	M 14	x 45	230	8,65	406	347	322	84.027
220	x	285	74	56	50	79.874	726	175	135	26	M 16	x 50	355	11,22	439	377	351	108.110
240	x	305	74	56	50	99.995	833	184	145	30	M 16	x 50	355	12,2	487	412	381	136.082
260	x	325	74	56	50	122.159	940	192	153	34	M 16	x 50	355	13,2	535	447	412	167.078
280	x	355	86,5	66	60	148.773	1063	168	132	32	M 18	x 60	485	19,2	541	466	435	204.423
300	x	375	86,5	66	60	178.553	1190	175	140	36	M 18	x 60	485	20,5	588	501	465	246.403
320	x	405	100,5	78	72	246.382	1540	177	140	36	M 20	x 70	690	29,6	635	541	502	341.382
340	x	425	100,5	78	72	260.791	1534	166	133	36	M 20	x 70	690	31,1	649	559	521	362.719
360	x	455	116	90	84	336.729	1871	164	130	36	M 22	x 80	930	42,2	688	595	555	470.012
380	x	475	116	90	84	371.687	1858	147	119	36	M 22	x 80	930	44	703	613	574	522.235
400	x	495	116	90	84	371.687	1858	147	119	36	M 22	x 80	930	46	720	632	594	522.235
420	x	515	116	90	84	432.315	2059	155	126	40	M 22	x 80	930	50	768	667	625	609.275
440	x	545	130	102	96	531.403	2415	152	122	40	M 24	x 90	1.200	64,6	801	700	657	751.102
460	x	565	130	102	96	554.016	2409	145	118	40	M 24	x 90	1.200	67,4	819	720	677	785.243
480	x	585	130	102	96	605.396	2522	145	119	42	M 24	x 90	1.200	71	702	747	702	860.354
500	x	605	130	102	96	658.967	2636	146	120	44	M 24	x 90	1.200	72,6	883	774	727	938.878
520	x	630	130	102	96	699.186	2689	143	118	45	M 24	x 90	1.200	80	913	802	754	998.625
540	x	650	130	102	96	724.367	2683	137	114	45	M 24	x 90	1.200	82	929	821	774	1.037.033
560	x	670	130	102	96	799.456	3855	141	118	48	M 24	x 90	1.200	85	971	853	802	1.147.138
580	x	690	130	102	96	860.618	2968	141	119	50	M 24	x 90	1.200	88	1.003	880	827	1.237.612
600	x	710	130	102	96	888.410	2961	136	115	50	M 24	x 90	1.200	91	1.018	898	846	1.280.288
620	x	730	130	102	96	952.790	3074	137	117	52	M 24	x 90	1.200	93	1.051	926	871	1.375.883
640	x	750	130	102	96	1.019.329	3185	138	117	54	M 24	x 90	1.200	96	1.083	953	897	1.474.892
660	x	770	130	102	96	1.088.021	3297	138	118	56	M 24	x 90	1.200	99	1.116	980	922	1.577.315
680	x	790	130	102	96	1.118.902	3291	134	115	56	M 24	x 90	1.200	102	1.133	999	941	1.625.113
700	x	810	130	102	96	1.231.849	3520	139	120	60	M 24	x 90	1.200	104	1.182	1.036	973	1.792.404
720	x	830	130	102	96	1.264.816	3513	135	117	60	M 24	x 90	1.200	107	1.199	1.054	992	1.843.615
740	x	850	130	102	96	1.340.983	3624	135	118	62	M 24	x 90	1.200	110	2.132	1.082	1.017	1.957.987
760	x	870	130	102	96	1.419.285	3735	136	119	64	M 24	x 90	1.200	113	1.265	1.110	1.043	2.075.774
780	x	890	130	102	96	1.476.995	3787	134	118	65	M 24	x 90	1.200	116	1.289	1.133	1.065	2.163.887
800	x	910	130	102	96	1.535.740	3839	133	117	66	M 24	x 90	1.200	118	1.314	1.156	1.088	2.253.307
820	x	930	130	102	96	1.619.333	3950	133	117	68	M 24	x 90	1.200	121	1.343	1.181	1.111	2.379.629
840	x	950	130	102	96	1.705.048	4060	134	118	70	M 24	x 90	1.200	124	1.376	1.209	1.137	2.509.365
860	x	970	130	102	96	1.792.882	4169	134	119	72	M 24	x 90	1.200	127	1.410	1.237	1.163	2.642.515
880	x	990	130	102	96	1.882.830	4279	134	119	74	M 24	x 90	1.200	129	1.439	1.263	1.187	2.779.079
900	x	1.010	130	102	96	1.948.904	4331	133	118	75	M 24	x 90	1.200	132	1.463	1.286	1.209	2.880.649
920	x	1.030	130	102	96	2.016.005	4383	132	118	76	M 24	x 90	1.200	135	1.492	1.311	1.233	2.983.925

To continue see next page

RINGFEDER® Locking Assemblies

**RfN 7012**

Locking Assembly dimensions						Transmissible torques or axial forces		Surface pressure		Locking screws ISO 4762-12.9				Weight	min. D <sub>N</sub> * Rp0,2 [N/mm <sup>2</sup> ]			T <sub>max</sub>	
d	x	D	L	L <sub>1</sub>	L <sub>3</sub>	T	F <sub>ax</sub>	Shaft p <sub>W</sub>	Hub p <sub>N</sub>	n	Thread d <sub>G</sub>		T <sub>A</sub>	~	200	300	400		
mm			mm			Nm	kN	N/mm <sup>2</sup>					Nm	kg	mm				Nm
940	x	1.050	130	102	96	2.111.197	4492	132	118	78	M 24	x	90	1.200	138	1.521	1.337	1.257	3.129.024
960	x	1.070	130	102	96	2.208.493	4601	132	119	80	M 24	x	90	1.200	140	1.555	1.365	1.283	3.277.538
980	x	1.090	130	102	96	2.279.745	4653	131	118	81	M 24	x	90	1.200	143	1.579	1.387	1.305	3.387.643
1.000	x	1.110	130	102	96	2.352.018	4704	130	117	82	M 24	x	90	1.200	146	1.603	1.410	1.326	3.499.454

More sizes on request

Ordering example: RfN 7012

Series	d	D
RfN 7012	200	260