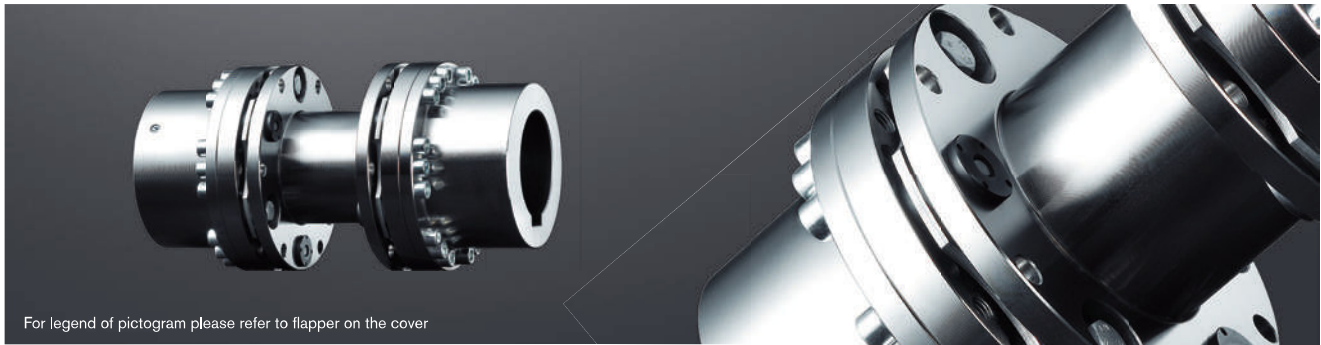


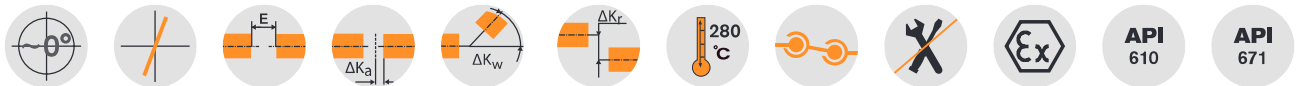
RIGIFLEX®-N

Steel lamina couplings

Standard type A

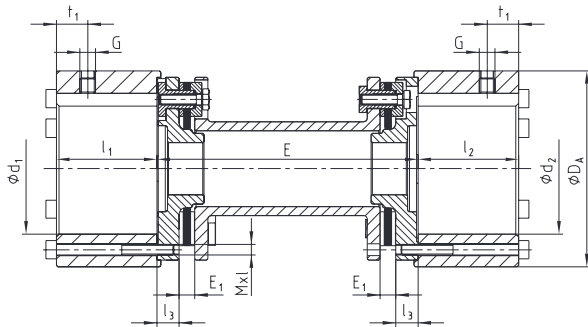


For legend of pictogram please refer to flapper on the cover

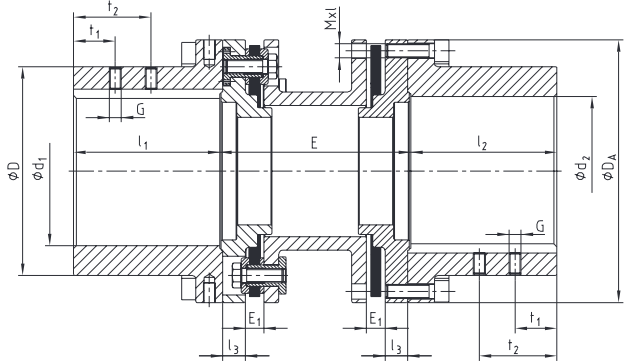


Components

Size 35



Size 50 - 408



RIGIFLEX®-N type A

Size	Torques [Nm]			Max. finish bore	Dimensions [mm]													Screws DIN EN ISO 4762	
	T _{KN}	T _{K max}	T _{KW}		d ₁ , d ₂	D	D _A	l ₁ , l ₂	l ₃	G	t ₁	t ₂	E ₁	E ¹⁾				MxI	T _A [Nm]
35	130	260	65	50	-	75	38,5	8,5	M6	15	-	6	100	140	-	-	-	M4x45	4.1
50	270	540	135	50	70	95	50	12	M6	10	-	9	100	140	-	-	-	M6x22	14
65	550	1100	275	70	100	126	63	12	M8	20	-	11	100	140	180	-	-	M6x25	14
75	1100	2200	550	75	105	138	62,5	12	M8	20	-	11	100	140	180	-	-	M8x30	35
85	1900	3800	950	90	120	156	72,5	15	M10	20	-	12	-	140	180	200	250	M8x30	35
110	3500	7000	1750	110	152	191	87	18	M10	25	-	12	-	140	180	200	250	M10x35	69
120	5750	11500	2875	120	165	213	102	20	M12	25	-	12	-	-	180	200	250	M12x40	120
140	10500	21000	5250	150	200	265	126	25	M12	30	-	15	-	-	-	200	250	M16x50	295
160	16000	32000	8000	165	230	305	145	31	M12	30	-	15	-	-	-	-	250	M16x55	295
166	19000	38000	9500	165	230	305	155	31	M16	30	70	17					M20x50	560	
196	22500	45000	11250	195	260	330	185	32	M16	40	90	24					M20x50	560	
216	32000	64000	16000	210	285	370	205	32	M20	50	110	26					M20x65	560	
256	52500	105000	26250	260	350	440	245	38	M20	70	130	31					M24x80	970	
306	86000	172000	43000	305	400	515	295	43	M24	70	130	36					M27x100	1450	
346	135000	270000	67500	350	460	590	335	55	M24	95	175	45					M30x110	1950	
406	210000	420000	105000	405	530	675	395	58,5	M24	95	175	50	According to customer specification				M36x130	3300	
168	25000	50000	12500	165	230	305	155	31	M16	30	70	17					M20x50	560	
198	30000	60000	15000	195	260	330	185	32	M16	40	90	24					M20x50	560	
218	42500	85000	21500	210	285	370	205	32	M20	50	110	26					M20x65	560	
258	70000	140000	35000	260	350	440	245	38	M20	70	130	31					M24x80	970	
308	115000	230000	57500	305	400	515	295	43	M24	70	130	36					M27x100	1450	
348	180000	360000	90000	350	460	590	335	55	M24	95	175	45					M30x110	1950	
408	280000	560000	140000	405	530	675	395	58,5	M24	95	175	50					M36x130	3300	

¹⁾ Other shaft distance dimensions available on request.
For selection of coupling see page 18 et seqq. Assembly instructions KTR standard 47410 available at www.ktr.com.

Ordering example:	RIGIFLEX®-N 120	A	Ø 100	Ø 120	200
	Coupling size	Type	Bore d ₁	Bore d ₂	Shaft distance dimension E

RIGIFLEX®-N

Steel lamina couplings

Standard type A-J

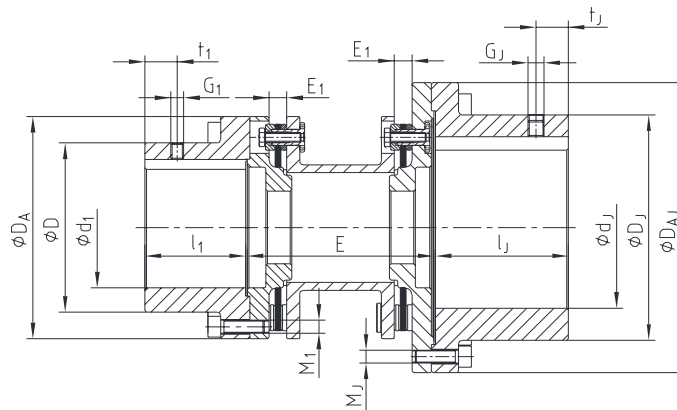


For legend of pictogram please refer to flapper on the cover



Components

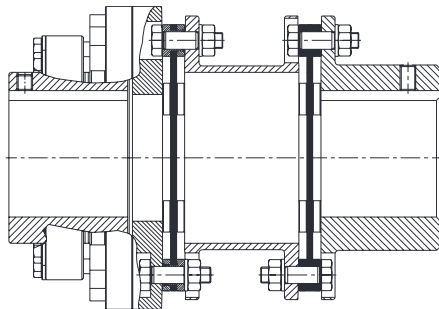
Size 50 - 140



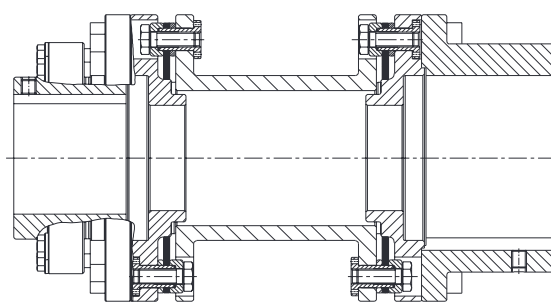
RIGIFLEX®-N type A-J																									
Size	Torques [Nm]			Max. finish bore		Dimensions [mm]															Screws DIN EN ISO 4762				
	TKN	TK max	TKW	d1	d2	D	DA	l1	DJ	DAJ	l2	G1	t1	GJ	t2	E1	E ¹⁾				M1	TA [Nm]	M2	TA [Nm]	
50	270	540	135	50	70	70	95	50	100	126	63	M6	10	M8	20	9	100	140	-	-	-	M6	14	M6	14
65	550	1100	275	70	90	100	126	63	120	156	72.5	M8	20	M10	20	11	100	140	180	-	-	M6	14	M8	35
75	1100	2200	550	75	100	105	138	62.5	140	180	83	M8	20	M10	20	11	100	140	180	-	-	M8	35	M8	35
85	1900	3800	950	90	110	120	156	72.5	152	191	87.5	M10	20	M10	25	12	-	140	180	200	250	M8	35	M10	69
110	3500	7000	1750	110	150	152	191	87	200	265	127	M10	25	M12	30	12	-	140	180	200	250	M10	69	M16	295
120	5750	11500	2875	120	165	165	213	102	230	305	147	M12	25	M12	30	12	-	-	180	200	250	M12	120	M16	295
140	10500	21000	5250	150	195	200	265	126	260	330	186	M12	30	M16	40/90	15	-	-	-	200	250	M16	295	M20	560

¹⁾ Other shaft distance dimensions available on request.
For selection of coupling see page 18 et seqq. Assembly instructions KTR standard 47410 available at www.ktr.com.

Other types:



For RADEX®-N with integrated slipping unit see dimension sheet 699206



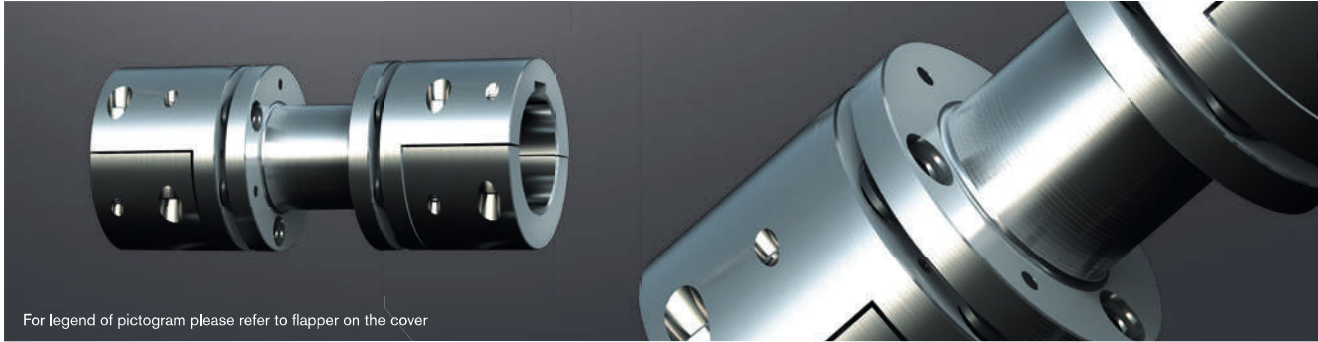
For RIGIFLEX®-N with integrated slipping unit see dimension sheet 698869

Ordering example:	RIGIFLEX®-N 85	A-J	Ø 80	Ø 120	200
	Coupling size	Type	Bore d1	Bore d2	Shaft distance dimension E

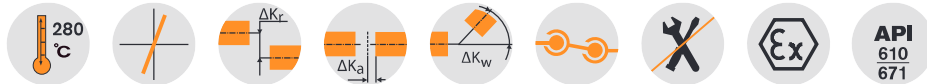
RIGIFLEX®-N

Steel lamina couplings

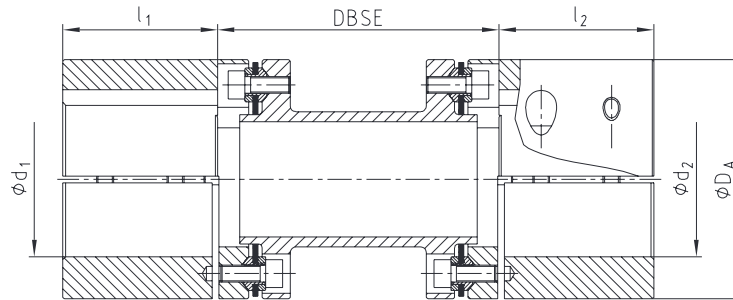
Standard type A-H



For legend of pictogram please refer to flapper on the cover



Components

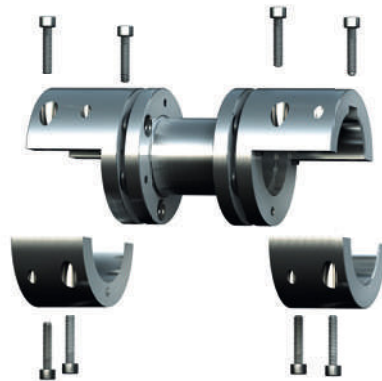


RIGIFLEX®-N type A-H											
Size	Torques [Nm]		Max. finish bore [mm]		Dimensions [mm]						
	T _{KN}	T _{K max}	d ₁ , d ₂	D _A	l ₁ , l ₂	Standard shaft distance dimension DBSE ¹⁾			Perm. axial displacement	Perm. angular displacement (each lamina set [°])	
46	90	180	42	69	45					+/- 1.4	1.0
56	255	510	55	85	55	100				+/- 1.2	0.7
66	450	900	65	105	65		140	180	250	+/- 1.6	0.7
76	975	1950	75	124	75					+/- 1.8	0.7
86	1500	3000	85	145	85	-				+/- 2.2	0.7
106	2400	4800	105	168	105					+/- 2.4	0.7

¹⁾ Other shaft distance dimensions (DBSE) available on request

Benefits of type A-H:

- Hub type 7.6 - half shell hub
- Easy and quick radial assembly and disassembly
- Type according to API 610 and 671 (please consider exceptions)
- Drop-out protection of spacer with fracture of laminae following API 671



Ordering example:

RIGIFLEX®-N 66	A-H	Ø 42	Ø 48	140
Coupling size	Type	Bore d ₁	Bore d ₂	Shaft distance dimension DBSE